



# SINGLETNET

## 2-WIRE CABLE VALVE COMMUNICATIONS CONTROL SYSTEM



### OVERVIEW

SingleNet is a 2-wire cable power and communications system. Easily operated and monitored over an RTU network, the SingleNet interface communicates with all controllers. Fast and simple to install, SingleNet is a reliable system that requires minimum maintenance ensuring long-term usage.

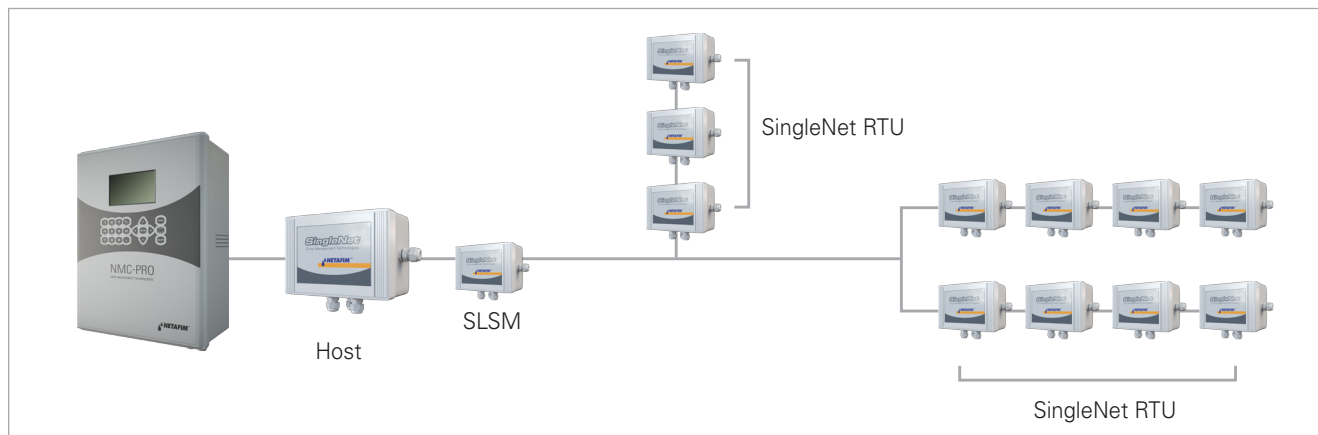
### HIGHLIGHTS & BENEFITS

- Advanced control over valve operations
- Lower cable and installation costs
- Greater reliability and peace of mind

### FEATURES & FUNCTIONALITY

- Powered by 12VDC
- Total cable length of up to 10km
- Control of up to 128 remote terminal units (RTUs)
- 2 digital outputs and inputs per RTU
- 2 digital water meter inputs per RTU
- Auto valve shutdown upon communication or power failure
- PC connection for easy setup and monitoring
- Optional plug-in lightning suppression module

### TYPICAL INSTALLATION





## ORDER DETAILS

SAP #	DESCRIPTION
00035-001750	SINGLETNET SERIAL INTERFACE UN.RS485/232
74340-001960	SINGLETNET HOST IN BRACKET FOR NMC PRO
74340-014900	SINGLETNET RTU 2 LATCH OUT & 2D.IN
74340-015000	SINGLETNET RTU 4 LATCH OUT & 4D.IN
74340-015100	SINGLETNET RTU 6 LATCH OUT & 6D. IN
74340-015400	SINGLETNET RTU 2 LATCH OUT & 2D. IN+PLSM
74340-015500	SINGLETNET RTU 4 LATCH OUT & 4D. IN+PLSM
74340-015600	SINGLETNET RTU 6 LATCH OUT & 6D. IN+PLSM
77100-005870	SINGLETNET CABLE 1X3X16 GAUGE PE ISOLATION
00035-008200	SINGLETNET PLSM LINE SUPPRESSION FOR RTU
00035-008300	SINGLETNET SLSM LINE SUPPRESSION MODULE
77100-005880	GROUND KIT FOR SINGLETNET PLSM

## CONTACT INFORMATION

For more product-related information, please contact Netafim's CMT Product Management at [CMT.Product.Managment@netafim.com](mailto:CMT.Product.Managment@netafim.com)

For support issues, please contact your local dealer or service provider, or Netafim CMT support at [CMT.Support@netafim.com](mailto:CMT.Support@netafim.com)