

SAP DESCRIPTION:

NC 480410 C

SKU No.

Maximum Flow Rate: 1496 GPM

Recommended Flow Rate: 1232 GPM

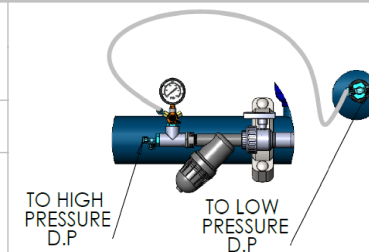
Inlet Pressure: 115 PSI

Sheet Size:

A4

Scale:

1:30



**PROPRIETARY AND CONFIDENTIAL**  
 THE INFORMATION CONTAINED IN THIS DRAWING IS THE SOLE PROPERTY OF NETAFIM. ANY REPRODUCTION IN PART OR AS A WHOLE WITHOUT THE WRITTEN PERMISSION OF NETAFIM IS PROHIBITED.

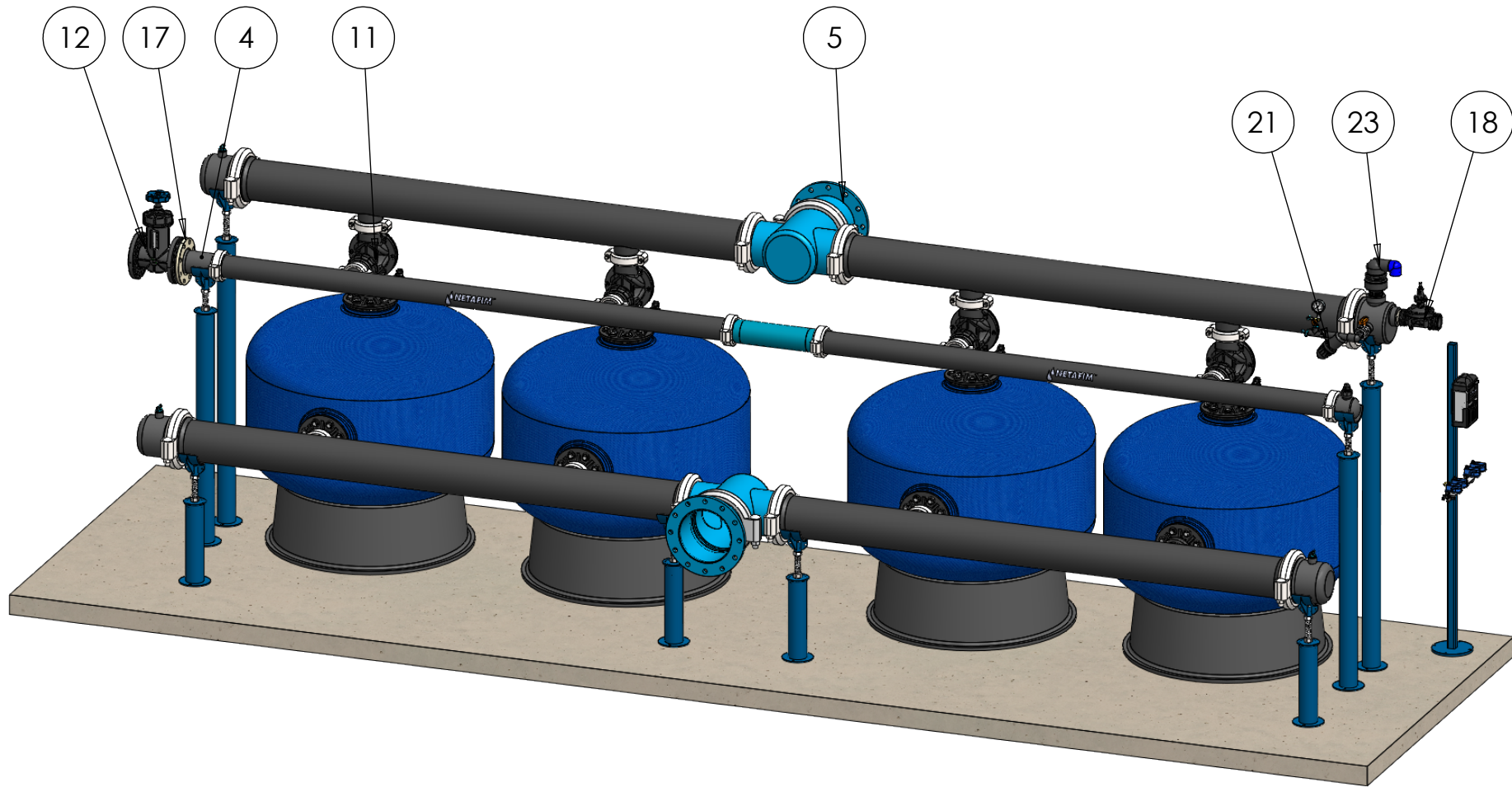
Designed By: KEREM 28/04/2021

Drawn By: KEREM 28/04/2021

Checked By:

QA

Sheet: 1 Of: 3 Rev. -



SAP DESCRIPTION:

NC 480410 C

SKU No.

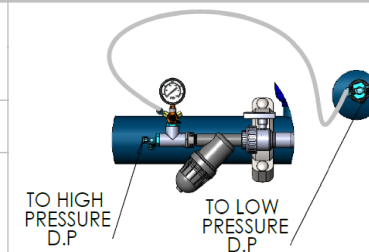
Maximum Flow Rate: 1496 GPM

Recommended Flow Rate: 1232 GPM

Inlet Pressure: 115 PSI

Sheet Size:  
A4

Scale:  
1:30



**PROPRIETARY AND CONFIDENTIAL**  
THE INFORMATION CONTAINED IN THIS DRAWING IS THE SOLE PROPERTY OF NETAFIM. ANY REPRODUCTION IN PART OR AS A WHOLE WITHOUT THE WRITTEN PERMISSION OF NETAFIM IS PROHIBITED

Designed By	KEREM	28/04/2021
-------------	-------	------------

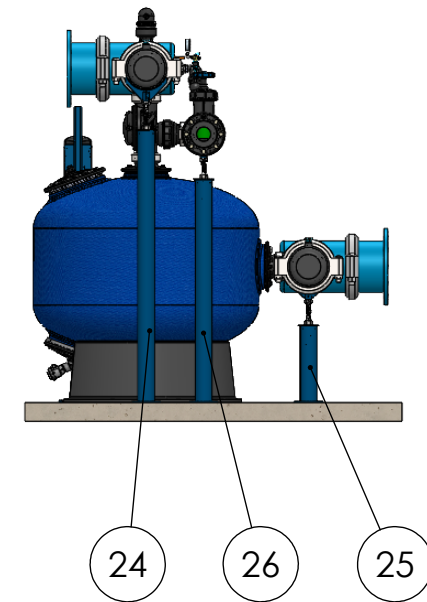
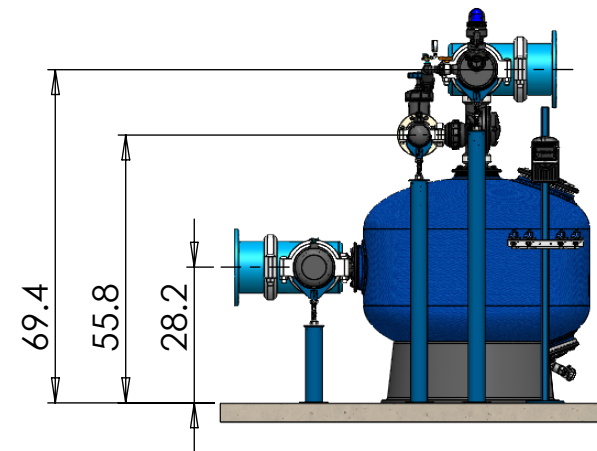
Drawn By	KEREM	28/04/2021
----------	-------	------------


Checked By		
------------	--	--

QA		
----	--	--

Sheet: 2	Of: 3	Rev. -
----------	-------	--------

ITEM NO.	SAP Description	SAP Cat. No.	QTY.
1	SANDSTROM NC TANK 48"X4" VIC	71920-003210	4
2	PE MAN 8"*2 OUT*4" VIC F/48" TANK	71920-002070	4
3	PE BF MAN 4"*2 OUT*3" VIC F/48" TANK	71920-002030	2
4	PE STUB END 4" W/O FLANGE extended	71920-002305	1
5	METAL TRANSITION 10" ANSI FLANGE*VIC	71910-002015	2
6	PE CAP 4" VIC	71920-002405	1
7	PE CAP 8"VIC W/1 OUT 3/4"BSP+2 OUT 2"BSP	71920-002508	1
8	PE CAP 8" VIC W/1 OUT 3/4" BSP	71920-002509	3
9	METAL TEE CON 10*8*10 VIC L-460MM	71910-002302	2
10	METAL NIPPLE VIC/VIC 4"*460MM	71910-009010	1
11	DOROT BF valve 4"*3"*4" vic vic vic	71600-006595	4
12	4" THROTTLE VALVE FLANGED TYPE F/BF MAN	71920-000110	1
13	VICTAULIC COUPLING 3" ONE BOLT	71910-002501	4
14	VICTAULIC COUPLING 4" ONE BOLT	71910-002502	16
15	VICTAULIC COUPLING 8" TWO BOLT	71910-002504	8
16	VICTAULIC COUPLING 10" TWO BOLT	71910-002505	2
17	LOOSE FLANGE PP ANSI 110X4"	75090-012415	1
18	S75PL H 2" QRV NPT PP 3WNC R	71600-002338	1
19	Plastic Nipple 2" BSP	75090-012457	1
20	Control stand + controller + Aquative bracket		1
21	CONTROL KIT FOR MEDIA FILTER - BSP	37090-009600	1
22	L.P. Check point (part of control kit)		3
23	BARAK PLASTIC BASE 2 GD-010(NPT)	70561-001500	1
24	SUPPORT LEG 8"X1440 FOR NC	71920-003050	2
25	SUPPORT LEG 8"X410 FOR NC	71920-003040	4
26	SUPPORT LEG 4"X1180 FOR NC	71920-003010	2



SAP DESCRIPTION:		 <p><b>NETAFIM™</b></p> <p><b>PROPRIETARY AND CONFIDENTIAL</b> THE INFORMATION CONTAINED IN THIS DRAWING IS THE SOLE PROPERTY OF NETAFIM. ANY REPRODUCTION IN PART OR AS A WHOLE WITHOUT THE WRITTEN PERMISSION OF NETAFIM IS PROHIBITED</p>		
NC 480410C				
SKU No.				
Maximum Flow Rate:	1496 GPM	Designed By	KEREM	28/04/2021
Recommended Flow Rate:	1232 GPM	Drawn By	KEREM	28/04/2021
Inlet Pressure:	115 PSI	Checked By		
Sheet Size:	Scale:	QA		
A4	1:40	Sheet: 3	Of: 3	Rev. -

