

SAP DESCRIPTION:

NC 480208 S

SKU No.

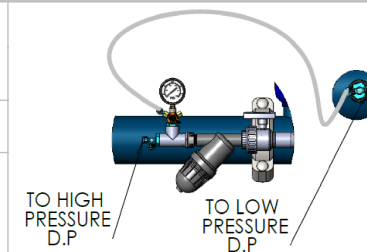
Maximum Flow Rate: 748 GPM

Recommended Flow Rate: 616 GPM

Inlet Pressure: 115 PSI

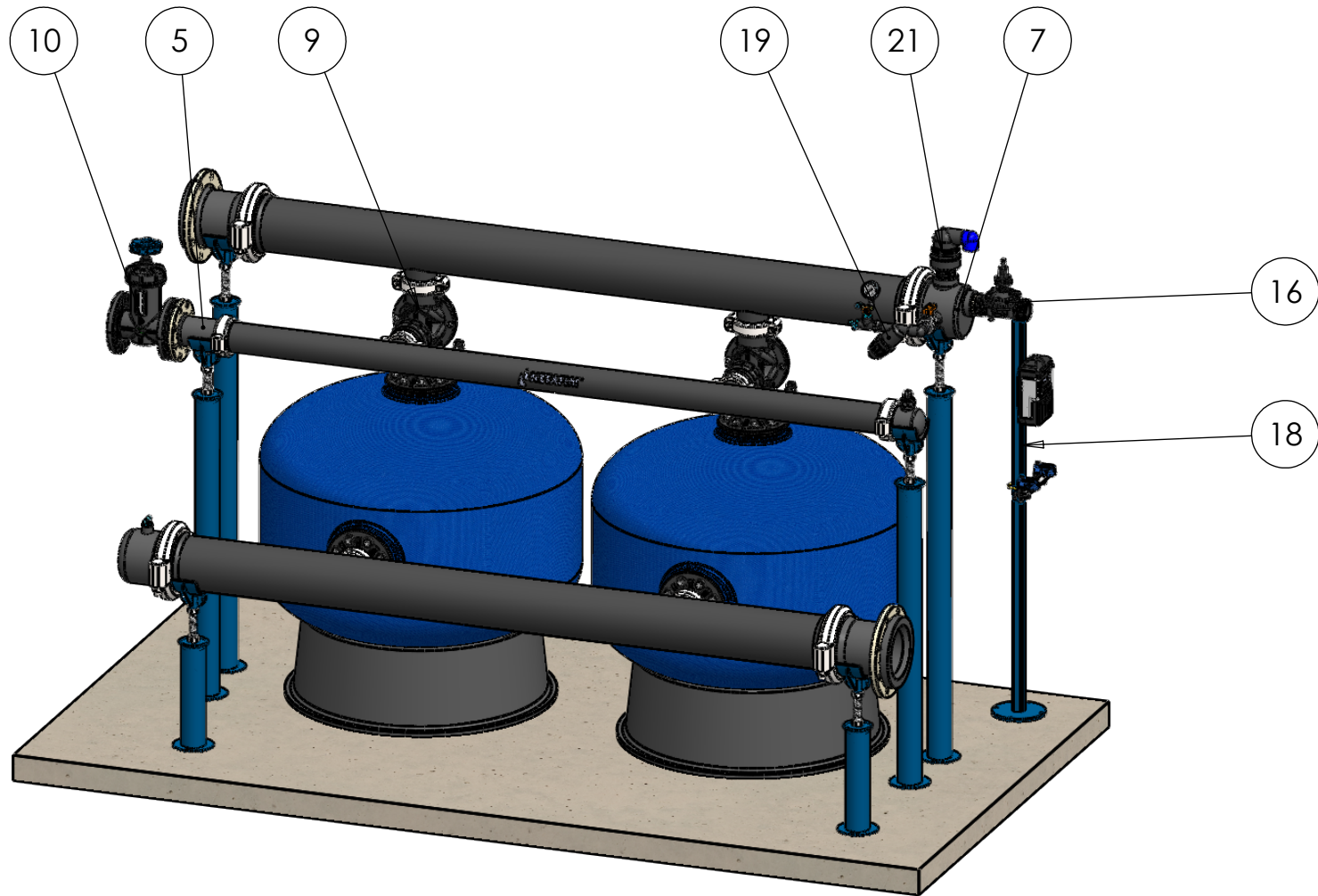
Sheet Size:
A4

Scale:
1:20



PROPRIETARY AND CONFIDENTIAL
THE INFORMATION CONTAINED IN THIS DRAWING IS THE SOLE PROPERTY OF NETAFIM. ANY REPRODUCTION IN PART OR AS A WHOLE WITHOUT THE WRITTEN PERMISSION OF NETAFIM IS PROHIBITED

Designed By		
Drawn By	KEREM	03/03/2020
Checked By		
QA		
Sheet: 1	Of: 3	Rev. -



SAP DESCRIPTION:

NC 480208 S

SKU No.

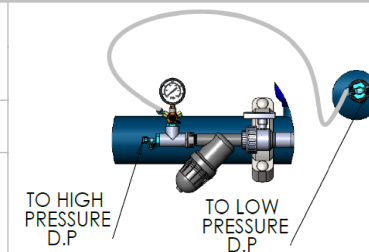
Maximum Flow Rate: 748 GPM

Recommended Flow Rate: 616 GPM

Inlet Pressure: 115 PSI

Sheet Size:
A4

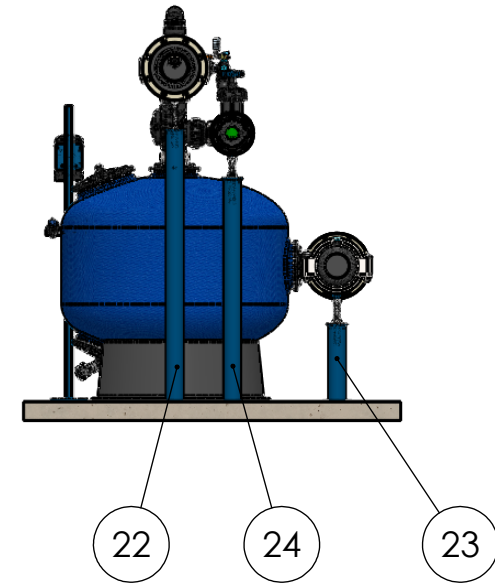
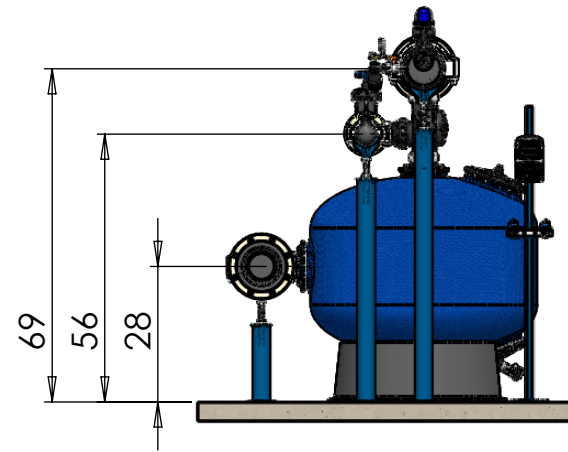
Scale:
1:25



PROPRIETARY AND CONFIDENTIAL
THE INFORMATION CONTAINED IN THIS DRAWING IS THE SOLE PROPERTY OF NETAFIM. ANY REPRODUCTION IN PART OR AS A WHOLE WITHOUT THE WRITTEN PERMISSION OF NETAFIM IS PROHIBITED

Designed By		
Drawn By	KEREM	03/03/2020
Checked By		
QA		
Sheet: 2	Of: 3	Rev. -

ITEM NO.	SAP Description	SAP Cat. No.	QTY.
1	SANDSTROM NC TANK 48"X4" VIC	71920-003210	2
2	PE MAN 8"*2 OUT*4" VIC F/48" TANK	71920-002070	2
3	PE BF MAN 4"*2 OUT*3" VIC F/48" TANK	71920-002030	1
4	PE STUB END 8" W/O FLANGE	71920-002315	2
5	PE STUB END 4" W/O FLANGE extended	71920-002305	1
6	PE CAP 4" VIC	71920-002405	1
7	PE CAP 8"VIC W/1 OUT 3/4"BSP+2 OUT 2"BSP	71920-002508	1
8	PE CAP 8" VIC W/1 OUT 3/4" BSP	71920-002509	1
9	DOROT BF valve 4"*3"*4" vic vic vic	71600-006595	2
10	4" THROTTLE VALVE FLANGED TYPE F/BF MAN	71920-000110	1
11	VICTAULIC COUPLING 3" ONE BOLT	71910-002501	2
12	VICTAULIC COUPLING 4" ONE BOLT	71910-002502	8
13	VICTAULIC COUPLING 8" TWO BOLT	71910-002504	4
14	LOOSE FLANGE PP ANSI 225X8"	75090-012435	2
15	LOOSE FLANGE PP ANSI 110X4"	75090-012415	1
16	S75PL H 2" QRV NPT PP 3WNC R	71600-002338	1
17	Plastic Nipple 2" BSP	75090-012457	1
18	Control stand + controller + Aquative bracket		1
19	CONTROL KIT FOR MEDIA FILTER - BSP	37090-009600	1
20	L.P. Check point (part of control kit)		1
21	BARAK PLASTIC BASE 2 GD-010(NPT)	70561-001500	1
22	SUPPORT LEG 8"X1440 FOR NC	71920-003050	2
23	SUPPORT LEG 8"X410 FOR NC	71920-003040	2
24	SUPPORT LEG 4"X1180 FOR NC	71920-003010	2



SAP DESCRIPTION:

NC 480208 S

SKU No.

Maximum Flow Rate: 748 GPM

Recommended Flow Rate: 616 GPM

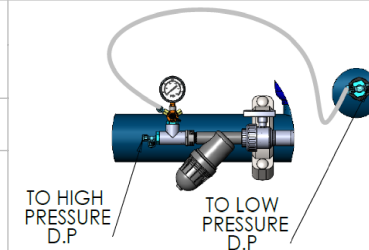
Inlet Pressure: 115 PSI

Sheet Size:

A4

Scale:

1:40



TO HIGH PRESSURE D.P.

TO LOW PRESSURE D.P.



PROPRIETARY AND CONFIDENTIAL
THE INFORMATION CONTAINED IN THIS DRAWING IS THE SOLE PROPERTY OF NETAFIM. ANY REPRODUCTION IN PART OR AS A WHOLE WITHOUT THE WRITTEN PERMISSION OF NETAFIM IS PROHIBITED

Designed By

Drawn By KEREM 03/03/2020

Checked By

QA

Sheet: 3 Of: 3 Rev. -