

SAP DESCRIPTION:

NC 360206 S

SKU No.

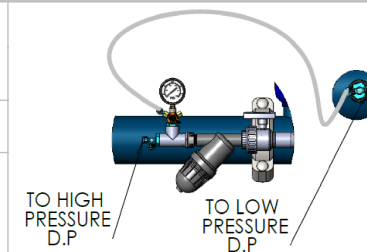
Maximum Flow Rate: 440 GPM

Recommended Flow Rate: 352 GPM

Inlet Pressure: 115 PSI

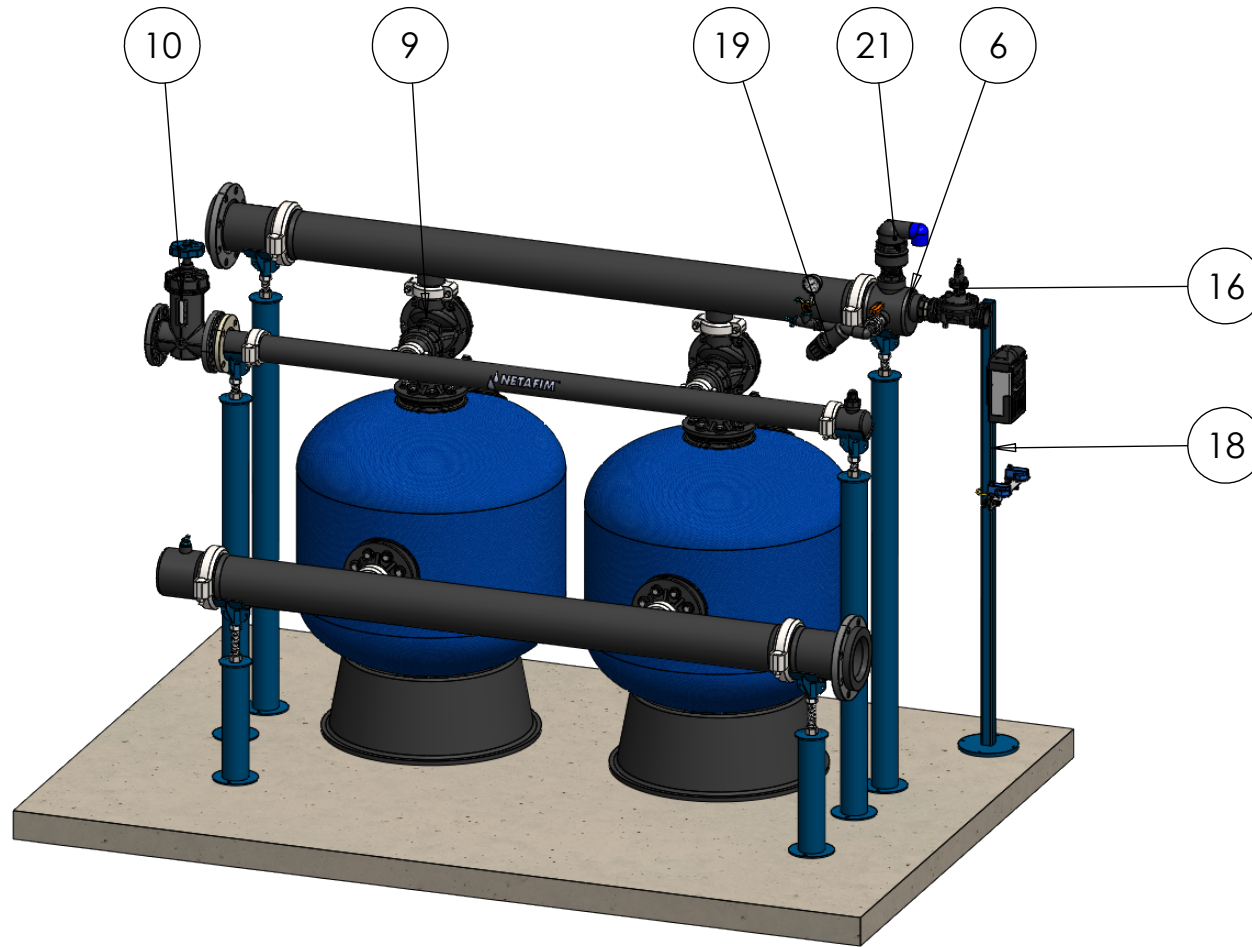
Sheet Size:
A4

Scale:
1:20



PROPRIETARY AND CONFIDENTIAL
THE INFORMATION CONTAINED IN THIS DRAWING IS THE SOLE PROPERTY OF NETAFIM. ANY REPRODUCTION IN PART OR AS A WHOLE WITHOUT THE WRITTEN PERMISSION OF NETAFIM IS PROHIBITED

Designed By		
Drawn By	KEREM	02/03/2020
Checked By		
QA		
Sheet: 1	Of: 3	Rev. -



SAP DESCRIPTION:

NC 360206 S

SKU No.

Maximum Flow Rate: 440 GPM

Recommended Flow Rate: 352 GPM

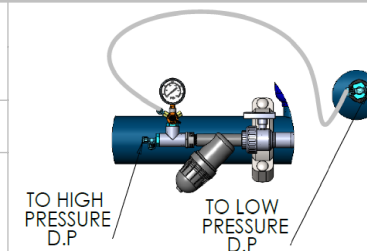
Inlet Pressure: 115 PSI

Sheet Size:

A4

Scale:

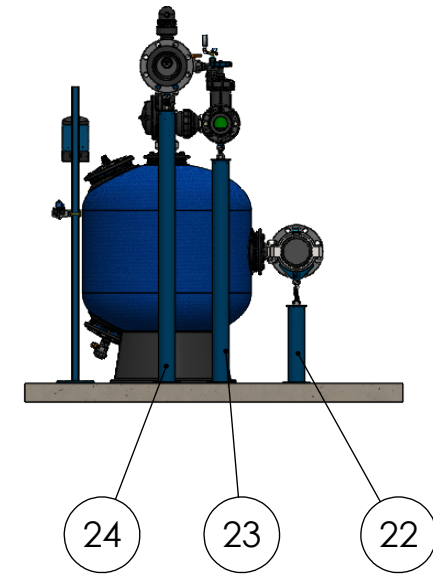
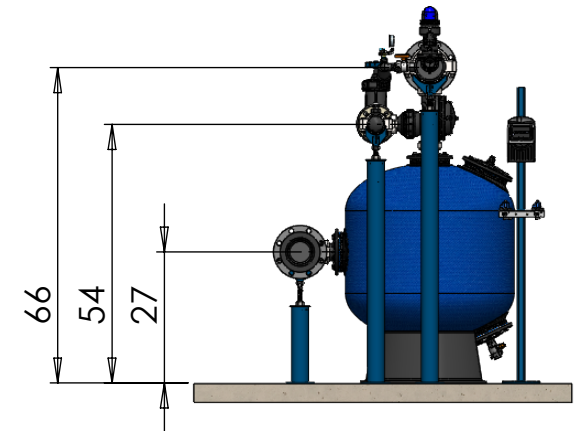
1:25



PROPRIETARY AND CONFIDENTIAL
 THE INFORMATION CONTAINED IN THIS DRAWING IS THE SOLE PROPERTY OF NETAFIM. ANY REPRODUCTION IN PART OR AS A WHOLE WITHOUT THE WRITTEN PERMISSION OF NETAFIM IS PROHIBITED

Designed By		
Drawn By	KEREM	02/03/2020
Checked By		
QA		
Sheet: 2	Of: 3	Rev. -

ITEM NO.	SAP Description	SAP Cat. No.	QTY.
1	SANDSTORM NC TANK 36"X3" VIC	71920-003200	2
2	PE MAN 6"*2 OUT*3" VIC F/36" TANK	71920-002040	2
3	PE BF MAN 3"*2 OUT*2" VIC F/36" TANK	71920-002000	1
4	PE STUB END 6" W/O FLANGE	71920-002310	2
5	PE STUB END 3" W/O FLANGE	71920-002300	1
6	PE CAP 6"VIC W/1 OUT 3/4"BSP+2 OUT 2"BSP	71920-002489	1
7	PE CAP 6" VIC W/1 OUT 3/4" BSP	71920-002490	1
8	3"CAP WITH VACUUM BREAKER		1
9	DOROT BF valve 3"*2"*3" vic vic vic	71600-006590	2
10	3" THROTTLE VALVE FLANGED TYPE F/BF MAN	71920-000100	1
11	VICTAULIC COUPLING 6" TWO BOLT	71910-002503	4
12	VICTAULIC COUPLING 3" ONE BOLT	71910-002501	8
13	VICTAULIC COUPLING 2" ONE BOLT	71910-002500	2
14	LOOSE FLANGE PP ANSI 90X3"	75090-012405	1
15	LOOSE FLANGE PP DIN/ANSI 160X6"	75090-012420	2
16	S75PL H 2" QRV NPT PP 3WNC R	71600-002338	1
17	Plastic Nipple 2" BSP	75090-012457	1
18	Control stand + controller + Aquative bracket		1
19	CONTROL KIT FOR MEDIA FILTER - BSP	37090-009600	1
20	L.P. Check point (part of control kit)		1
21	BARAK PLASTIC BASE 2 GD-010(NPT)	70561-001500	1
22	SUPPORT LEG 6"X410 FOR NC	71920-003020	2
23	SUPPORT LEG 3"X1180 FOR NC	71920-003000	2
24	SUPPORT LEG 6"X1440 FOR NC	71920-003030	2



SAP DESCRIPTION:

NC 360206 S

SKU No.

Maximum Flow Rate: 440 GPM

Recommended Flow Rate: 352 GPM

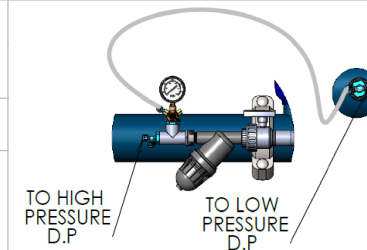
Inlet Pressure: 115 PSI

Sheet Size:

A4

Scale:

1:40



PROPRIETARY AND CONFIDENTIAL
THE INFORMATION CONTAINED IN THIS DRAWING IS THE SOLE PROPERTY OF NETAFIM. ANY REPRODUCTION IN PART OR AS A WHOLE WITHOUT THE WRITTEN PERMISSION OF NETAFIM IS PROHIBITED

Designed By

Drawn By KEREM 02/03/2020

Checked By

QA

Sheet: 3 Of: 3 Rev. -