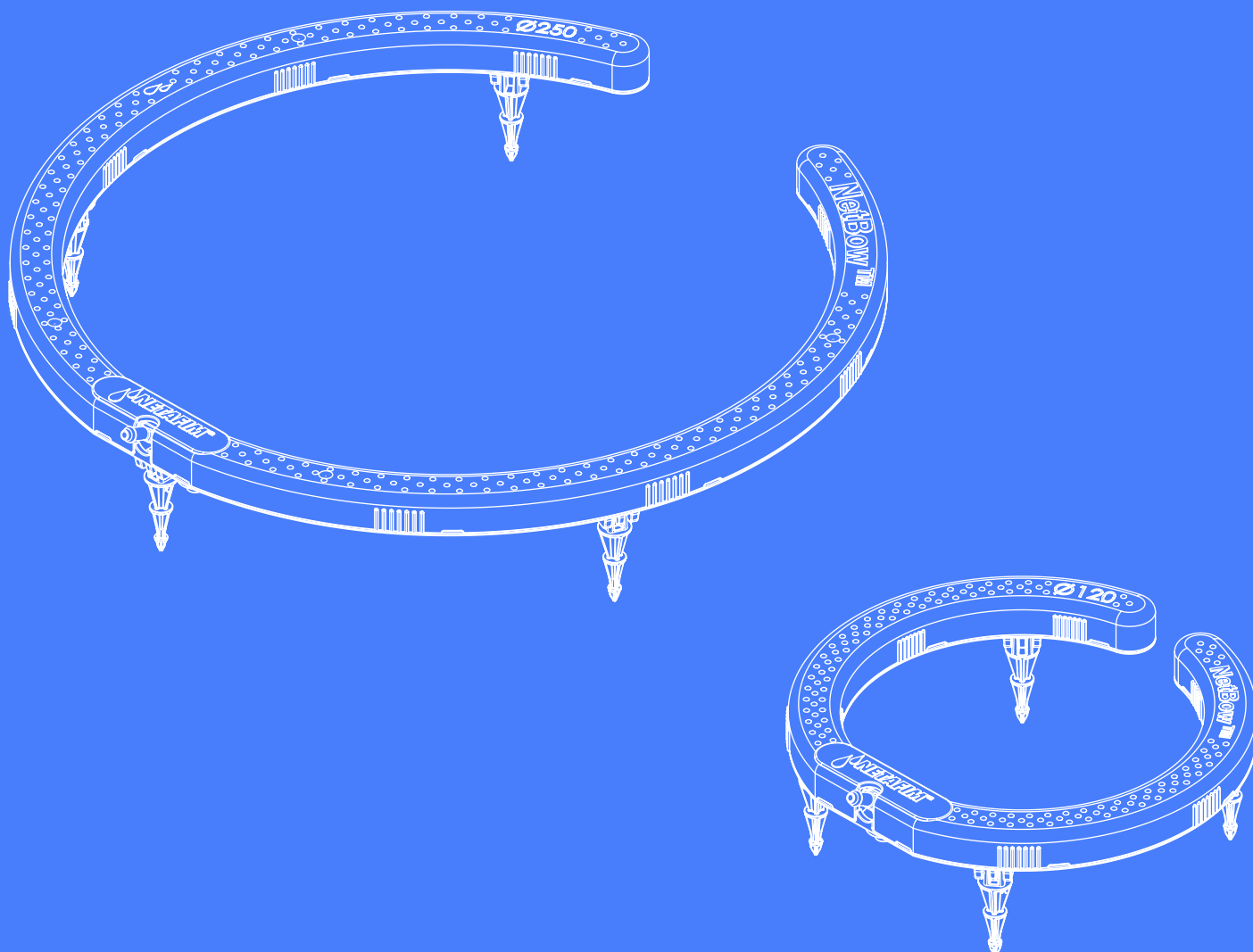


NetBow™

Container Irrigation Multi-Outlet Dripping Arc

Installation Manual



© **COPYRIGHT 2021, NETAFIM™**

NO PARTS OF THIS PUBLICATION MAY BE REPRODUCED, STORED IN AN AUTOMATED DATA FILE OR MADE PUBLIC IN ANY FORM OR BY ANY MEANS, WHETHER ELECTRONIC, MECHANICAL, BY PHOTOCOPYING, RECORDING OR IN ANY OTHER MANNER WITHOUT PRIOR WRITTEN PERMISSION OF THE PUBLISHER.

ALTHOUGH NETAFIM™ TAKES THE GREATEST POSSIBLE CARE IN DESIGNING AND PRODUCING BOTH ITS PRODUCTS AND THE ASSOCIATED DOCUMENTATION, THEY MAY STILL INCLUDE FAULTS.

NETAFIM™ WILL NOT ACCEPT RESPONSIBILITY FOR DAMAGE RESULTING FROM USE OF NETAFIM'S PRODUCTS OR USE OF THIS MANUAL.

NETAFIM™ RESERVES THE RIGHT TO MAKE CHANGES AND IMPROVEMENTS TO ITS PRODUCTS AND/OR THE ASSOCIATED DOCUMENTATION WITHOUT PRIOR NOTICE.



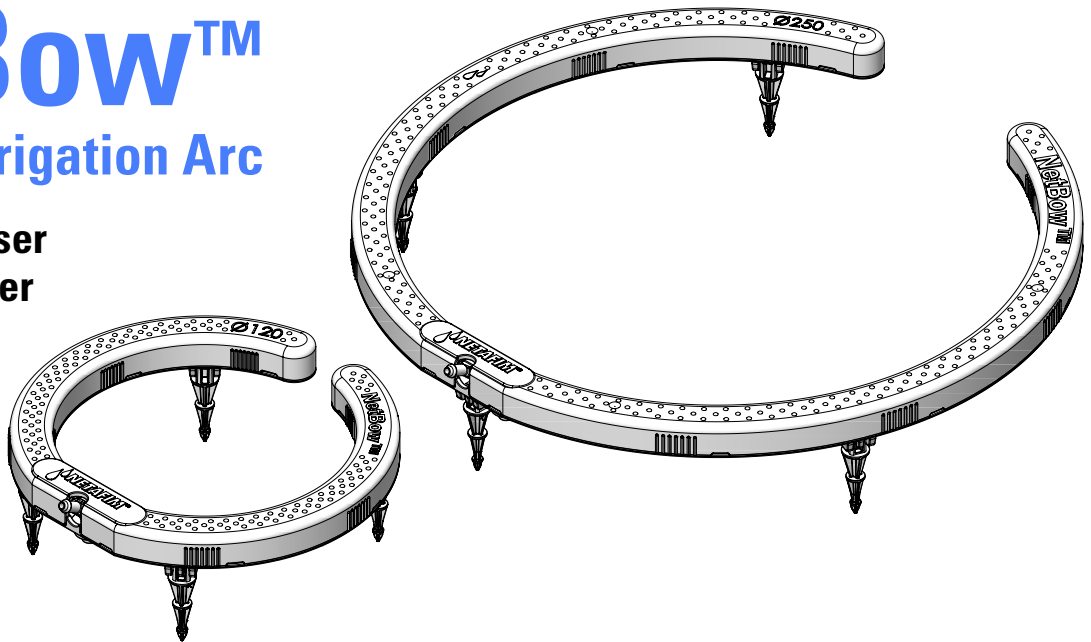
FOREIGN LANGUAGES

In the event that you are reading this manual in a language other than the English language, you acknowledge and agree that the English language version shall prevail in case of inconsistency or contradiction in interpretation or translation.

NetBow™

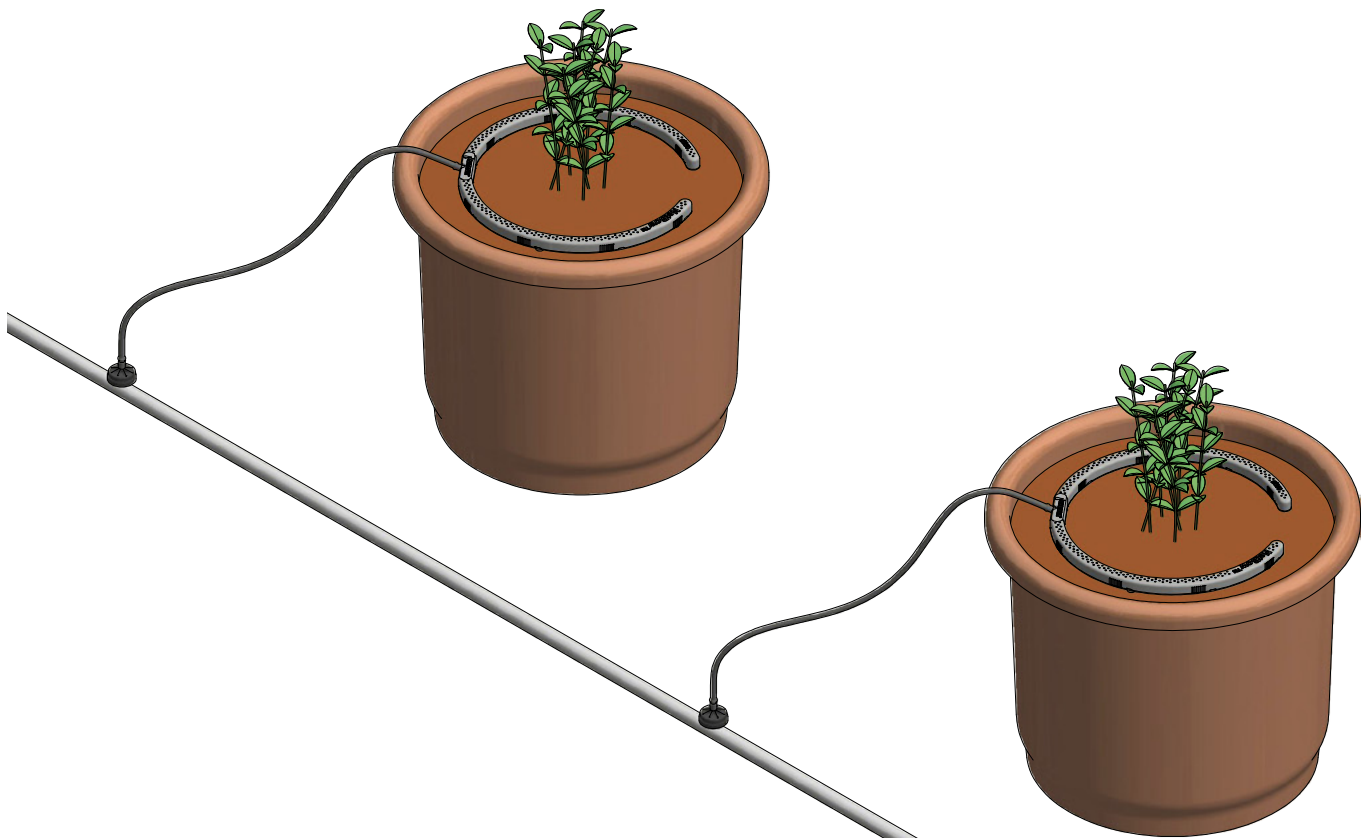
Container Irrigation Arc

An innovative user friendly container irrigation multi-outlet dripping arc with high clogging resistance and superb water distribution



Specs. & Recommendations

- Compatible with 10-60 liters (2-15 gallon) containers, and in many cases even smaller containers, depending on the pot geometry.
- Diameter: 120, 250 mm (5, 10 inches)
- Dripping outlets: 4 and 8 respectively.
The flow from each one of the dripping outlets is the hub dripper flow divided by the number of dripping outlets.
- Minimum operating pressure: according to hub dripper definitions.
- Maximum recommended pressure at the hub dripper inlet: 4.0 bar (58 PSI)
- Flow of the hub dripper should be 2.0-8.0 l/h (0.53-2.11 GPH).
If your required flow / pressure is out of this range, consult your Netafim™ local representative.



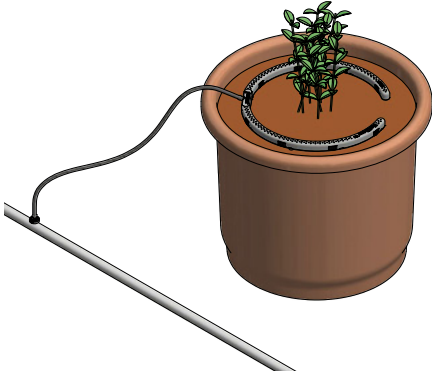
Connection options

NetBow™ can be connected to different hub dripper - PCJ, PC, or UniRam™ with Dr. Zip™

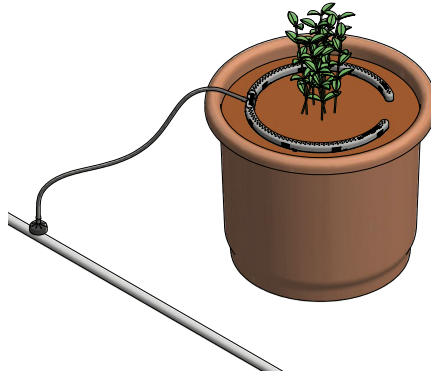
- When connected to a hub dripper, NetBow™ can deliver flow rate as low as ¼ l/h from each one of its 4 or 8 dripping outlets, while maintaining sufficient velocity for self-cleaning.

NetBow™ options of hub dripper

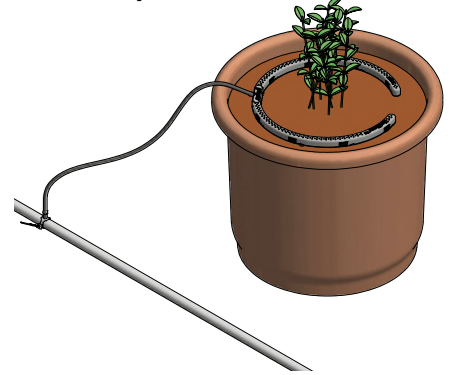
PCJ on line



PC on line



UniRam™ with Dr. Zip™

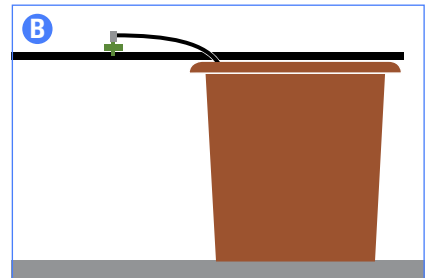
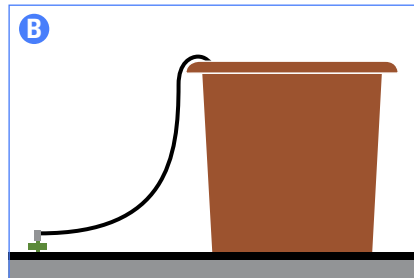
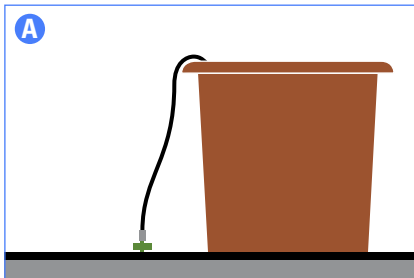


Installation

- Cut a section of 3X5 mm diameter micro-tube at the required length to reach conveniently from the hub dripper to the NetBow™ inlet. Using SPE (soft polyethylene) micro-tube is recommended for ease of installation (pre-cut SPE micro-tube sections of the required length with the required assembly fittings can be ordered).
- Connect it to the barb connector of the hub dripper. If the hub dripper is fitted with a Press-Fit outlet connector, use a Press-Fit to barb adapter (see available options on page 5).

Use the appropriate type of adaptor according to the dripline and hub-dripper location

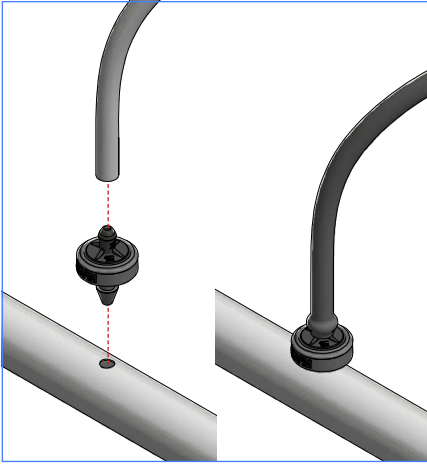
- A** If the hub dripper is at close proximity to the pot and the dripline is located on the surface on which the pot rests, it is recommended to use a straight barb adapter.
- B** If the hub dripper is at a distance from the pot or the dripline is located on top of the pot, it is recommended to use an elbow barb adapter.



NetBow™ options of connection to the hub dripper

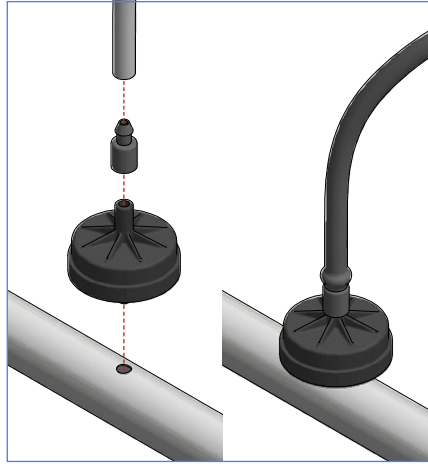
PCJ on line

- PCJ with barb outlet



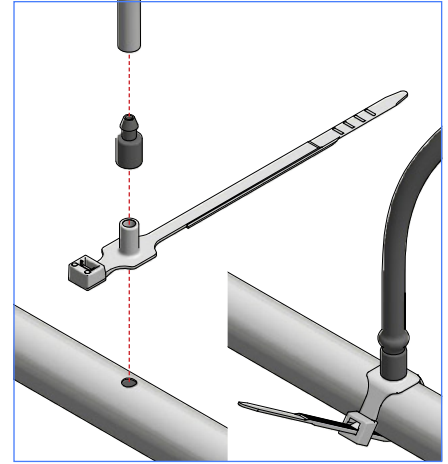
PC on line

- PC with Press-Fit outlet and straight Press-Fit to barb adaptor

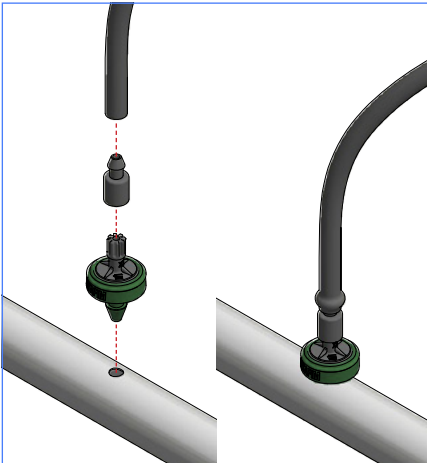


UniRam™ with Dr. Zip™ with Dr. Zip™

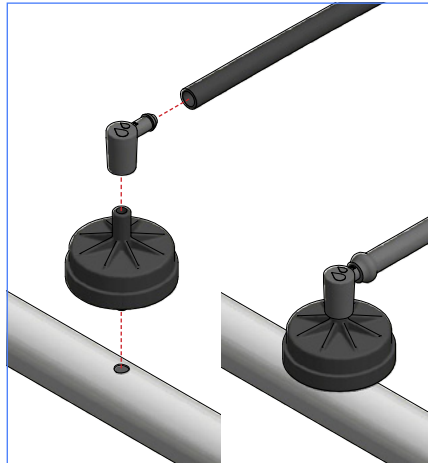
- UniRam™ with Dr. Zip™ and straight Press-Fit to barb adaptor



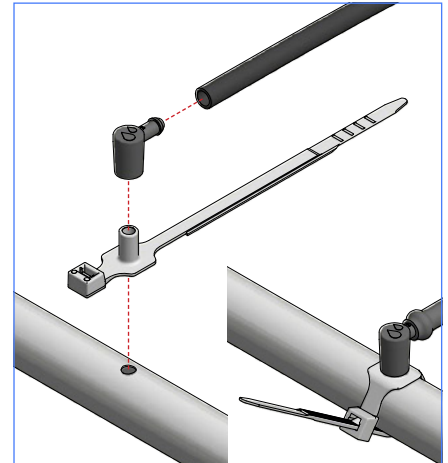
- PCJ with Press-Fit outlet and straight Press-Fit to barb adaptor



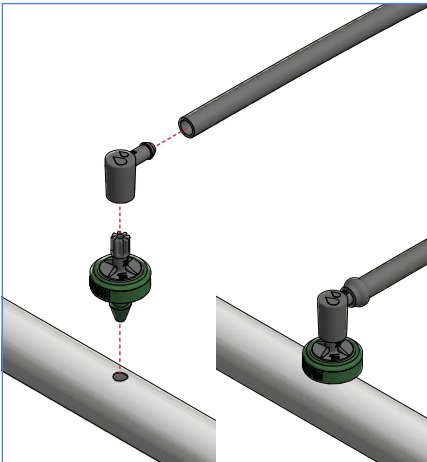
- PC with Press-Fit outlet and elbow Press-Fit to barb adaptor



- UniRam™ with Dr. Zip™ and elbow Press-Fit to barb adaptor



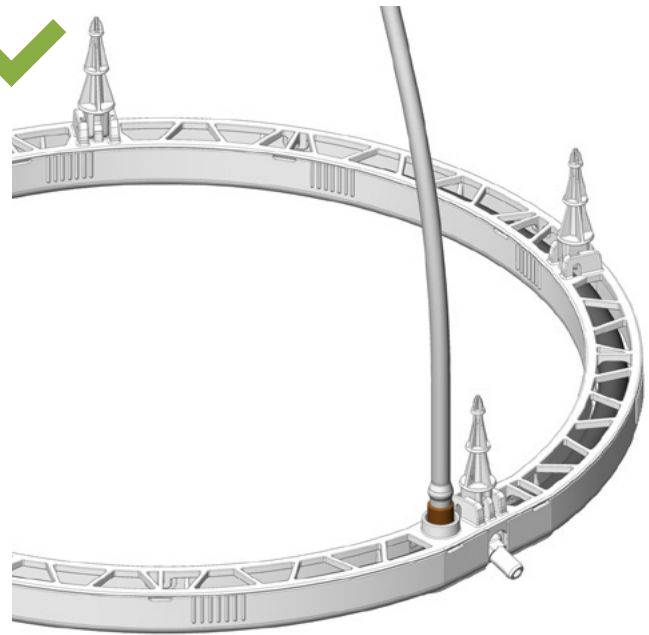
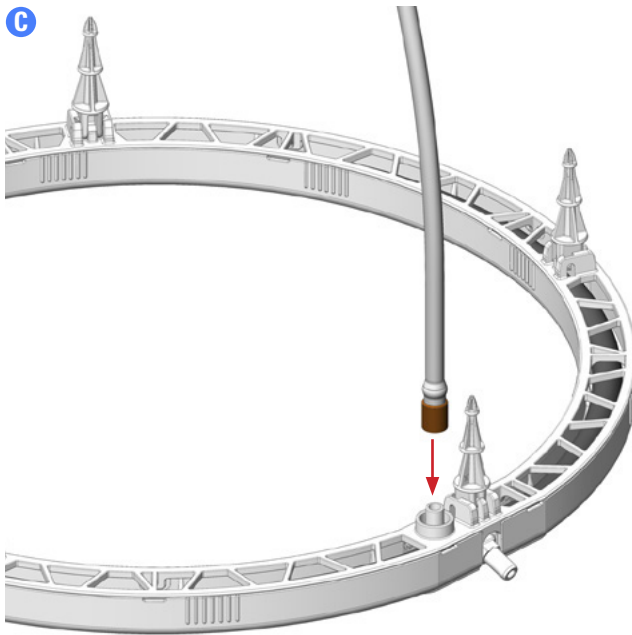
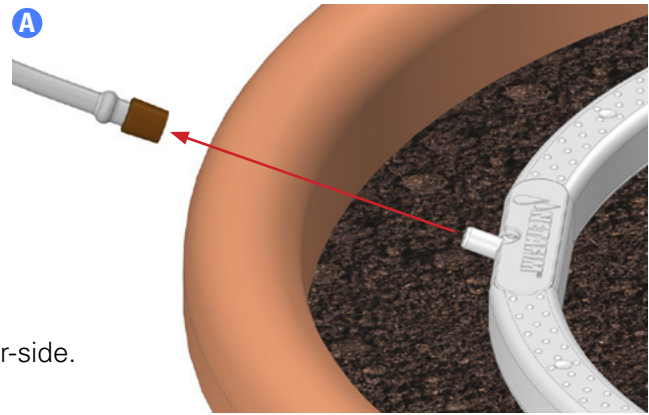
- PCJ with Press-Fit outlet and elbow Press-Fit to barb adaptor



In applications where a NetBow™ is to be temporarily not in use:

Use the Press-Fit plug incorporated in the NetBow™ under-side

- A** Disconnect the micro-tube Press-Fit adapter.
- B** Remove the NetBow™ from the pot.
- C** Plug the micro-tube Press-Fit adapter into the Press-Fit plug incorporated in the NetBow™ under-side.



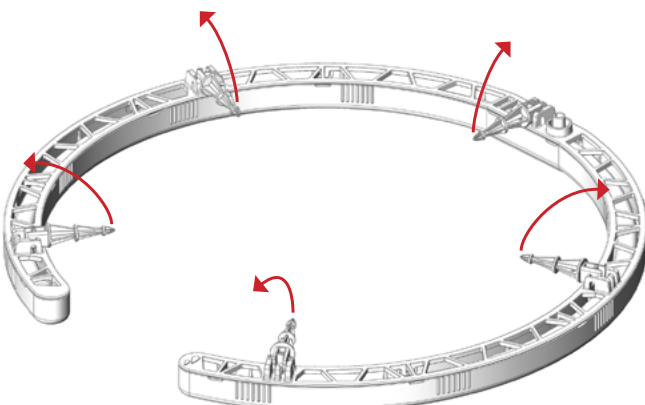
6 different NetBow™ models are offered

- 250mm/10" with insertable spikes;
- 250mm/10" with foldable spikes;
- 120mm/5" with foldable spikes, each with barb or Press-Fit connector (See [Product order data](#) on page 8)

Size	Outlets	Connector	Spikes
250mm/10"	8	Barb	Insertable
250m/10"		Press-Fit	
250mm/10"		Barb	Foldable
250mm/10"		Press-Fit	
120mm/5"	4	Barb	Foldable
120mm/5"		Press-Fit	

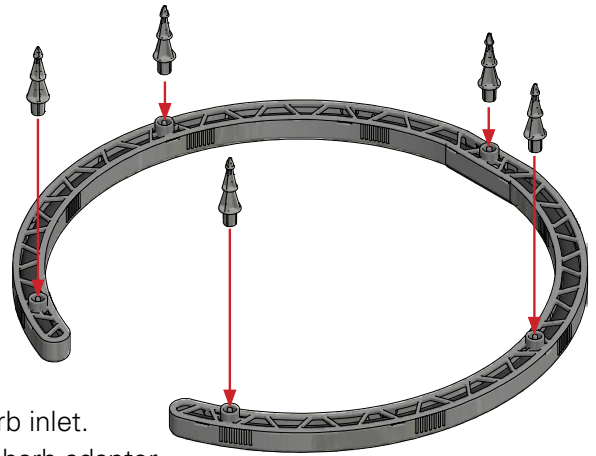
NetBow™ models with foldable spikes

- Extend the 5 foldable spikes on the NetBow™ underside



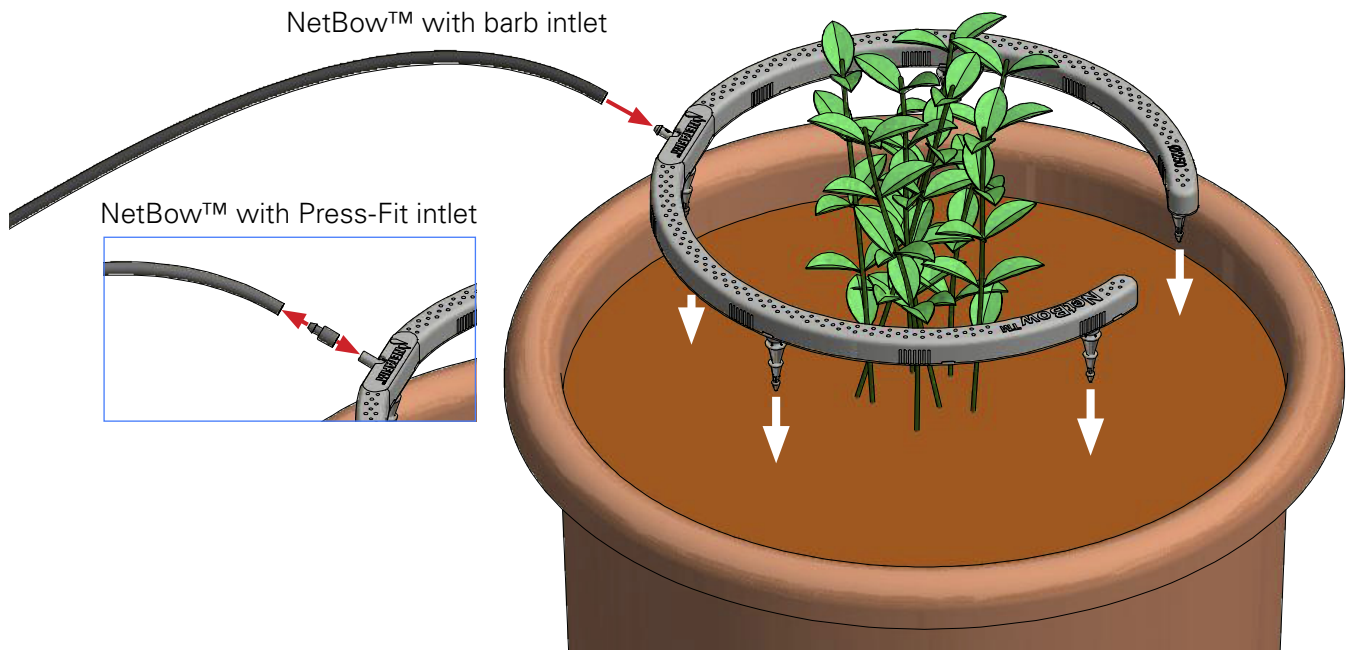
NetBow™ models with insertable spikes

- Insert the 5 spikes into the 5 holes on the NetBow™ underside

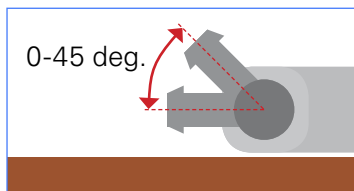


Continue installation (all models)

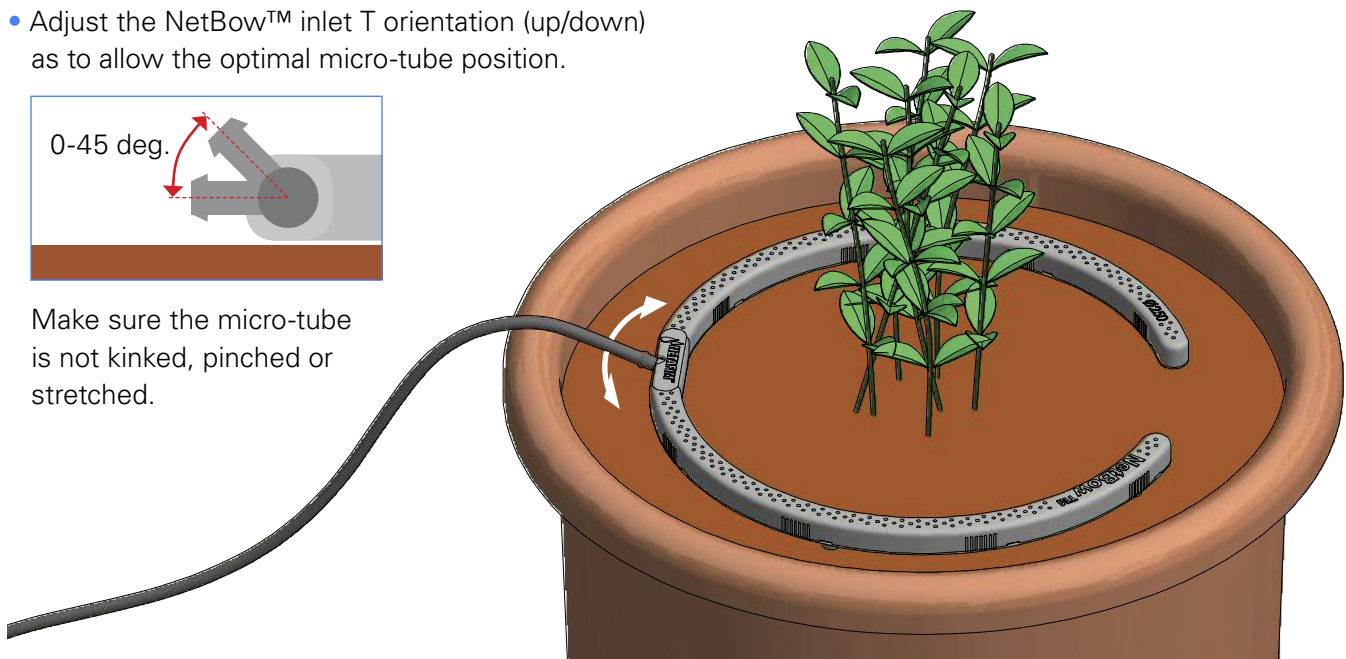
- Connect the free side of the micro-tube to the NetBow™ barb inlet. For NetBow™ with Press-Fit inlet use a straight Press-Fit to barb adaptor
- Place the NetBow™ on the substrate surface in the pot, surrounding the plant location.
- Insert the NetBow™ spikes into the substrate so that its underside is in contact with the substrate.



- Adjust the NetBow™ inlet T orientation (up/down) as to allow the optimal micro-tube position.



Make sure the micro-tube is not kinked, pinched or stretched.








Order Details

Product order data

Product Description	Quantity per box (Units)	Box sizes (cm)	Box weight (Kg)	Boxes per pallet	Cat. No.
NetBow™ 250mm/10", 8 outlets, barb, grey	60	W 56 L 28 H 32	5.2	24	77470-000106
NetBow™ 250m/10", 8 outlets, Press-Fit, grey					77470-000124
NetBow™ 250mm/10", 8 outlets, barb, grey, foldable	50		5.0		77470-000125
NetBow™ 250mm/10", 8 outlets, Press-Fit, grey, foldable					77470-000126
NetBow™ 120mm/5", 4 outlets, barb, grey, foldable	120		5.9		77470-000142
NetBow™ 120mm/5", 4 outlets, Press-Fit, grey, foldable					77470-000143

Accessories

The NetBow™ can be connected directly by micro-tube to Netafim™ PCJ on line drippers equipped with a barb outlet, or to PC, PCJ on line drippers and UniRam™ integral driplines with Dr. Zip™, using one of the following Netafim™ adapters (to be ordered separately):

Product	Description	Units	Cat. No.
Micro-tube Adapter barb - straight 3 X 5 	Inlet: Female Press-Fit Outlet: Barb, 3 X 5 Colored gray	1 unit	32000-001950
		50 units/bag	N/A
		100 units/bag	N/A
Micro-tube Adapter barb - straight 3 X 5 	Inlet: Female Press-Fit Outlet: Barb, 3 X 5 Colored brown	1 unit	32000-002000
		50 units/bag	32000-002010
		100 units/bag	32000-002020
Micro-tube Elbow adapter barb 3 X 5 	Inlet: Female Press-Fit Outlet: Barb, 3 X 5 Colored black	1 unit	N/A
		50 units/bag	32000-002520
		100 units/bag	32000-002525
Micro-tube Elbow adapter barb 3 X 5 	Inlet: Female Press-Fit Outlet: Barb, 3 X 5 Colored gray	1 unit	N/A
		50 units/bag	32000-002526
		100 units/bag	N/A
Soft PE micro-tube 3 X 5 	Soft PE micro-tube bi-layer, gray outside, black inside	100 m length	40005-000202
		200 m length	40005-000201
		500 m length	40005-000200

Related assemblies

Product name	Description	Functionality	Units*	Cat. No.
SR W/OD MEL-FPF SSG-0.60M	Press-Fit Elbow Adapter Gray + 60cm SSG Microtube	To connect Press-Fit hub dripper to NetBow™ barb	1	40200-043275
SR W/O ADAPTOR 5MM SSG-0.60M	Straight Adapter Black + 60cm SSG Microtube	To connect Press-Fit hub dripper to NetBow™ barb		40200-043276
SR PCJH-4LH-BRB W/OM SSG-0.60M	PCJ HCNL 4 L/H + 60cm SSG Microtube	PCJ + micro tube to connect PE pipe to NetBow™ barb		40200-046499
SR W/OD BRW-ADPT 5MM SG-0.80M ELB ADPT	Elbow adapter Gray + 80 cm SG Microtube + Straight adapter brown	To connect Press-Fit hub dripper to NetBow™ Press-Fit		40200-000012
SR W/OD BRW-ADPT 5MM SG-0.80M BRW-ADPT	80 cm SG Microtube + Straight adapter brown	To connect barb hub dripper to NetBow™ Press-Fit		40200-000011

*The catalog number is in units but orders will be in boxes of 500 units

For more information about Netafim's drippers see the drippers catalog at <http://www.netafim.com/irrigation-products-technical-materials>.

GROW MORE WITH LESS

WWW.NETAFIMUSA.COM