

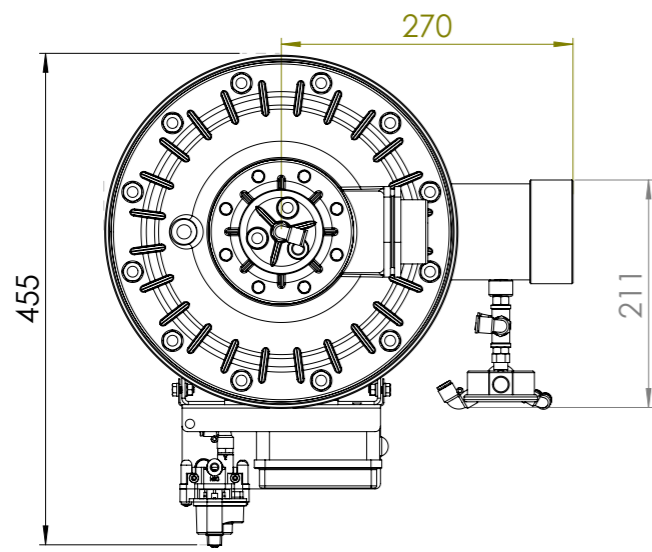
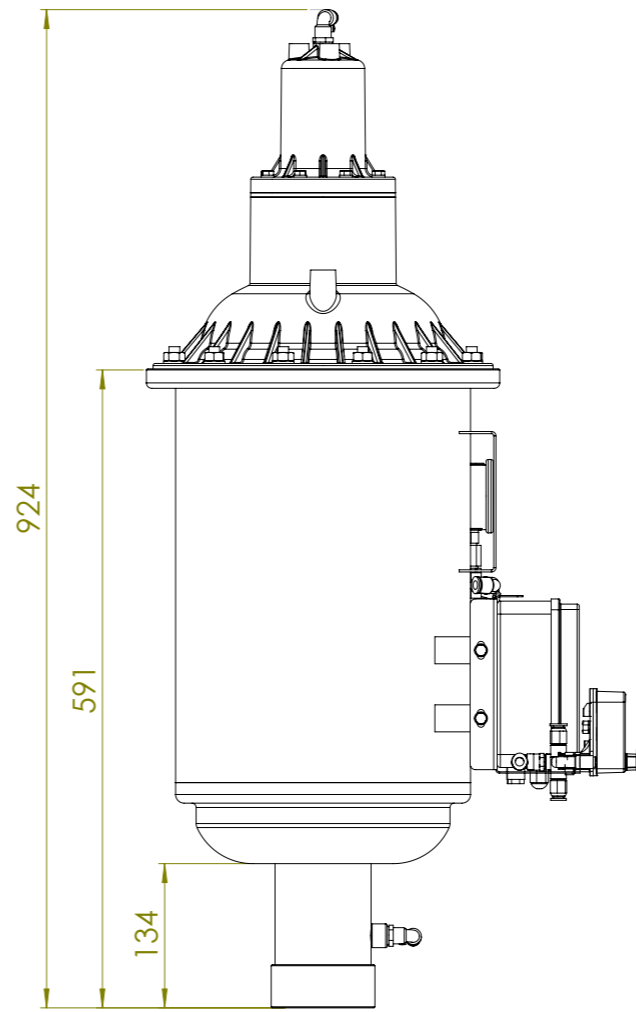
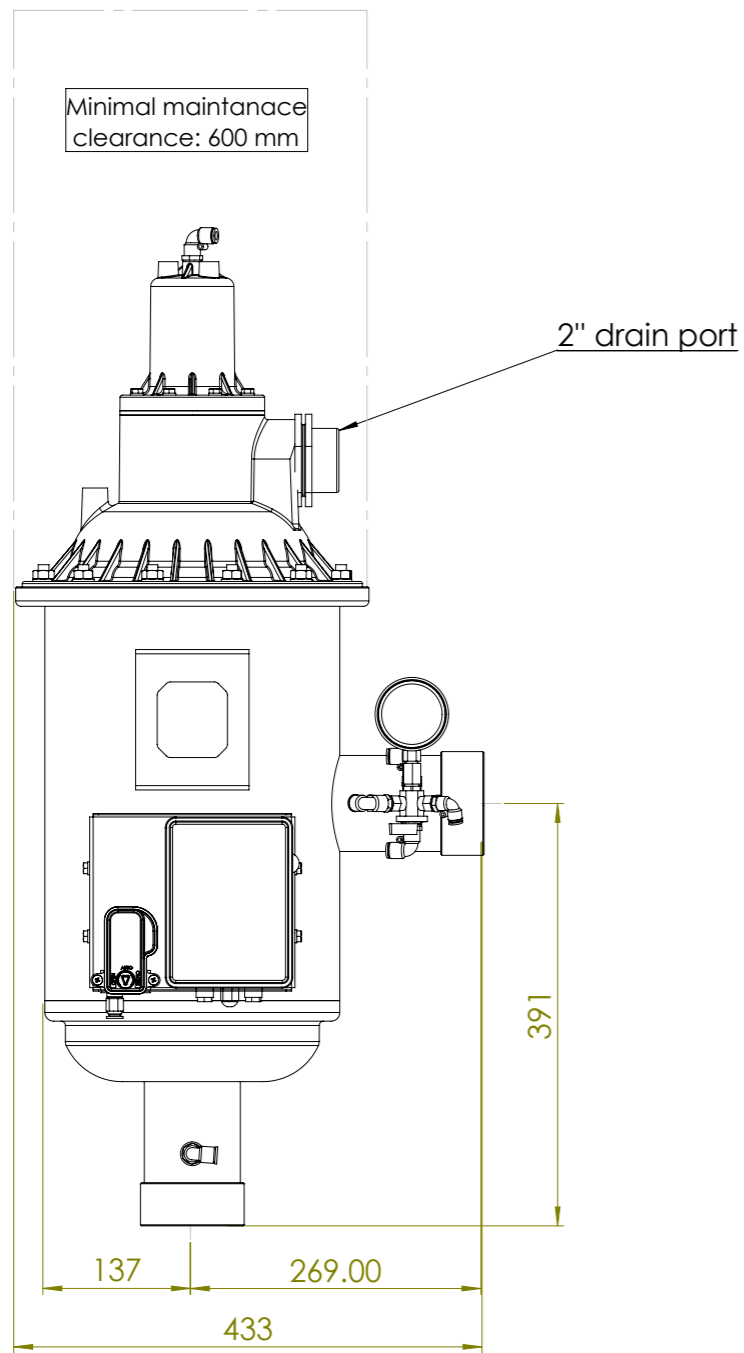


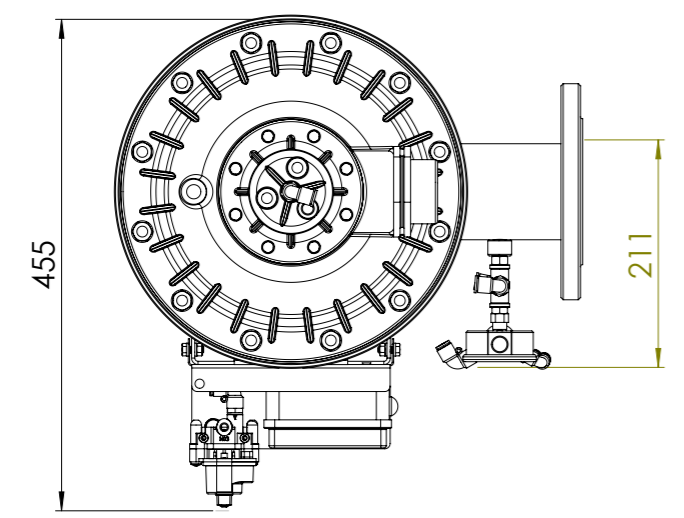
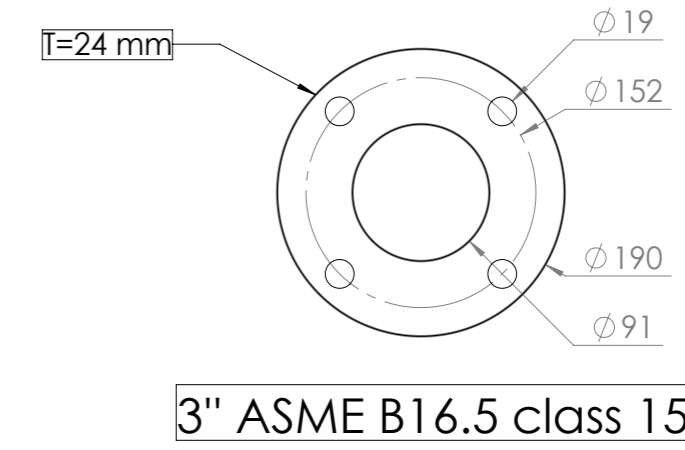
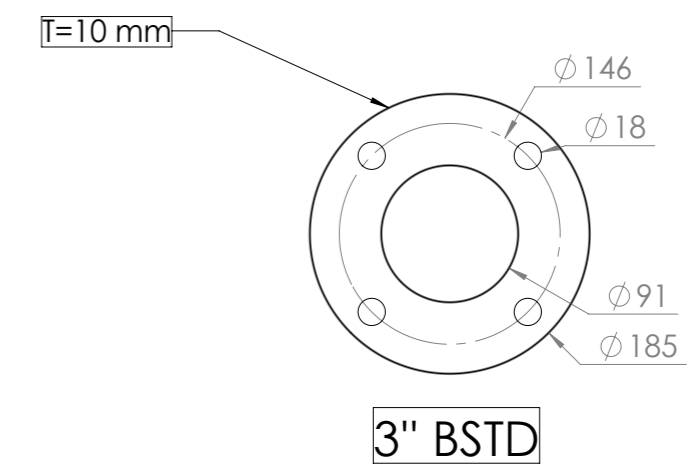
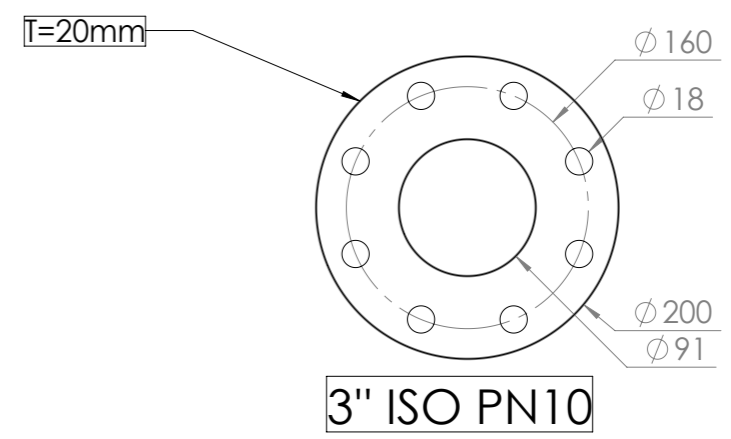
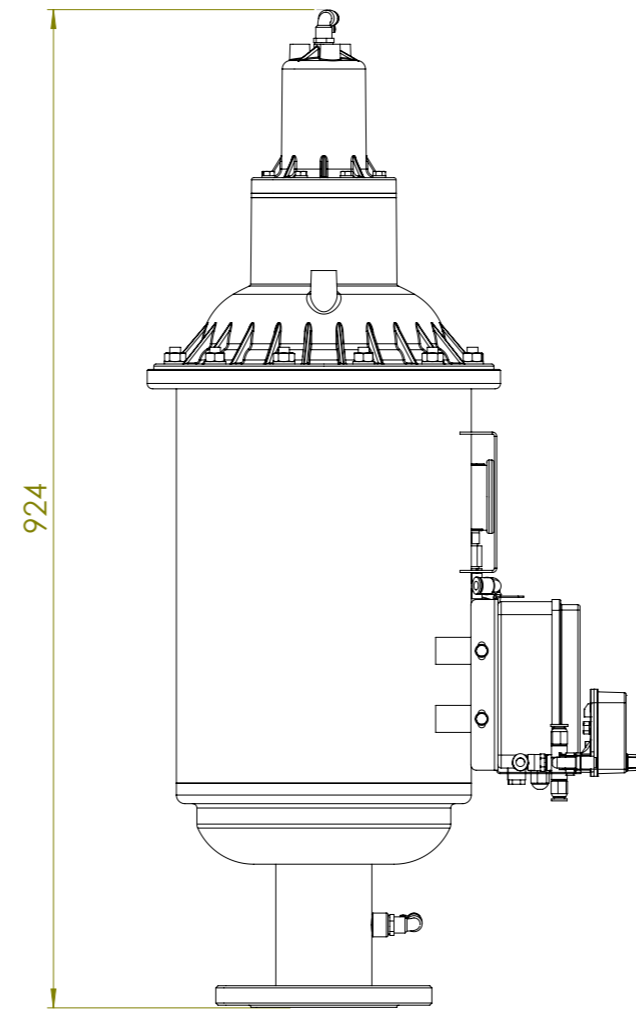
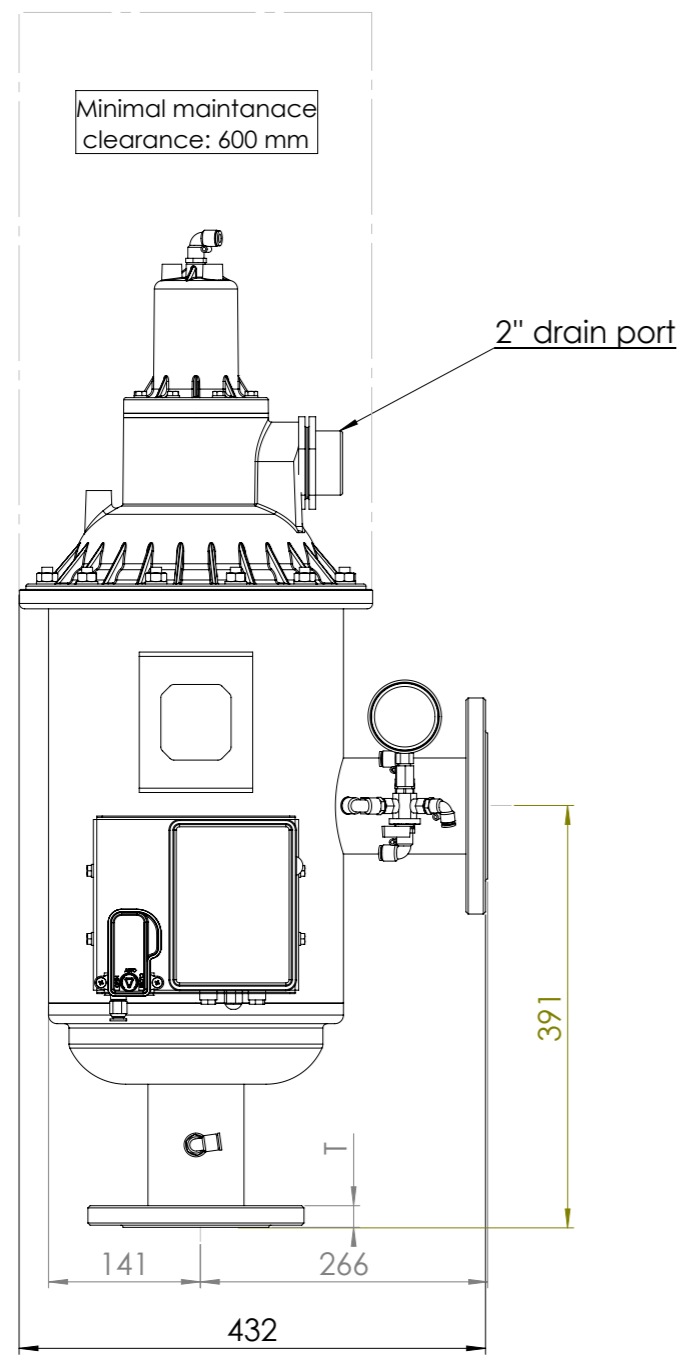
Material: ST37 / PA30		Project: Screen Guard		 PROPRIETARY AND CONFIDENTIAL THE INFORMATION CONTAINED IN THIS DRAWING IS THE SOLE PROPERTY OF NETAFIM. ANY REPRODUCTION IN PART OR AS A WHOLE WITHOUT THE WRITTEN PERMISSION OF NETAFIM IS PROHIBITED.																																																				
Finish:		Subject: Automatic Screen filter																																																						
Drawing No. N126886/1		Part Name: SGV 3																																																						
Part No. A-29277-100518	Quantity: 1	General Tolerance According to ISO 2768-f																																																						
3-D Proj. 		<table border="1"> <thead> <tr> <th colspan="8">LINEAR DIMENSIONS</th> <th colspan="5">ANGULAR DIMENSIONS</th> </tr> <tr> <th colspan="8">Permissible deviations in mm for ranges in nominal lengths</th> <th colspan="5">Permissible deviations in degrees and minutes for ranges in nominal lengths</th> </tr> <tr> <th>≥ 0.5</th> <th>> 3</th> <th>> 6</th> <th>> 30</th> <th>> 120</th> <th>> 400</th> <th>> 1000</th> <th>> 2000</th> <th>≤ 10°</th> <th>> 10°</th> <th>> 50°</th> <th>> 120°</th> <th>> 400°</th> </tr> </thead> <tbody> <tr> <td>±0.05</td> <td>±0.05</td> <td>±0.1</td> <td>±0.15</td> <td>±0.2</td> <td>±0.3</td> <td>±0.5</td> <td>-</td> <td>±1°</td> <td>±0°30'</td> <td>±0°20'</td> <td>±0°10'</td> <td>±0°5'</td> </tr> </tbody> </table>		LINEAR DIMENSIONS								ANGULAR DIMENSIONS					Permissible deviations in mm for ranges in nominal lengths								Permissible deviations in degrees and minutes for ranges in nominal lengths					≥ 0.5	> 3	> 6	> 30	> 120	> 400	> 1000	> 2000	≤ 10°	> 10°	> 50°	> 120°	> 400°	±0.05	±0.05	±0.1	±0.15	±0.2	±0.3	±0.5	-	±1°	±0°30'	±0°20'	±0°10'	±0°5'	Designed By a21434 10 May 2018 Drawn By a21434 16 May 2018 Checked By QA
LINEAR DIMENSIONS								ANGULAR DIMENSIONS																																																
Permissible deviations in mm for ranges in nominal lengths								Permissible deviations in degrees and minutes for ranges in nominal lengths																																																
≥ 0.5	> 3	> 6	> 30	> 120	> 400	> 1000	> 2000	≤ 10°	> 10°	> 50°	> 120°	> 400°																																												
±0.05	±0.05	±0.1	±0.15	±0.2	±0.3	±0.5	-	±1°	±0°30'	±0°20'	±0°10'	±0°5'																																												
Sheet Size: A3	Scale: 1:10	File Name: SGV3 Installation dimensions.sldrw		Sheet: 1 Of: 5 Rev: -																																																				



REV.	DESCRIPTION	DATE	APPROVED
Material:	ST37 / PA30	Project:	Screen Guard
Finish:		Subject:	Automatic Screen Filter
Drawing No.	N126886/1	Part Name:	SGV 3 BSPT/ NPT
Part No.	A-29277-100518	Quantity:	1
General Tolerance According to ISO 2768-f		Drawn By: a21434 16 May 2018 Checked By: QA Sheet: 2 Of: 5 Rev. -	
3-D Proj. Sheet Size: A3 Scale: 1:10		Permissible deviations in mm for ranges in nominal lengths ≥ 0.5 > 3 > 6 > 30 > 120 > 400 > 1000 > 2000 ≤ 3 ≤ 6 ≤ 30 ≤ 120 ≤ 400 ≤ 1000 ≤ 2000 ≤ 4000 ±0.05 ±0.05 ±0.1 ±0.15 ±0.2 ±0.3 ±0.5 -	
		ANGULAR DIMENSIONS Permissible deviations in degrees and minutes for ranges in nominal lengths ≤ 10 > 10 > 50 > 120 > 400 ±1° ±0°30' ±0°20' ±0°10' ±0°5'	
File Name: SGV3 Installation dimensions.slddrw			

NETAFIM™

PROPRIETARY AND CONFIDENTIAL
 THE INFORMATION CONTAINED IN THIS DRAWING IS THE SOLE PROPERTY OF NETAFIM. ANY REPRODUCTION IN PART OR AS A WHOLE WITHOUT THE WRITTEN PERMISSION OF NETAFIM IS PROHIBITED.



REV.	DESCRIPTION	DATE	APPROVED
Material:	ST37 / PA30	Project:	Screen Guard
Finish:		Subject:	Automatic Screen Filter
Drawing No.	N126886/1	Part Name:	SGV 3 ISO/BSTD/ASME
Part No.	A-29281-100518	Quantity:	1
General Tolerance According to ISO 2768-f		Drawn By:	a21434
LINEAR DIMENSIONS		Checked By:	
ANGULAR DIMENSIONS		QA	
Permissible deviations in mm for ranges in nominal lengths		Sheet: 3	Of: 5
Permissible deviations in degrees and minutes for ranges in nominal lengths		Rev. -	
File Name: SGV3 Installation dimensions.slddrw			

NETAFIM™

PROPRIETARY AND CONFIDENTIAL
THE INFORMATION CONTAINED IN THIS DRAWING IS THE SOLE PROPERTY OF NETAFIM. ANY REPRODUCTION IN PART OR AS A WHOLE WITHOUT THE WRITTEN PERMISSION OF NETAFIM IS PROHIBITED.

Designed By: a21434 10 May 2018
 Drawn By: a21434 16 May 2018
 Checked By:
 QA