



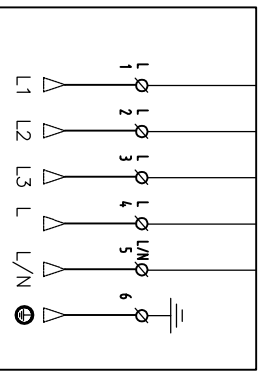
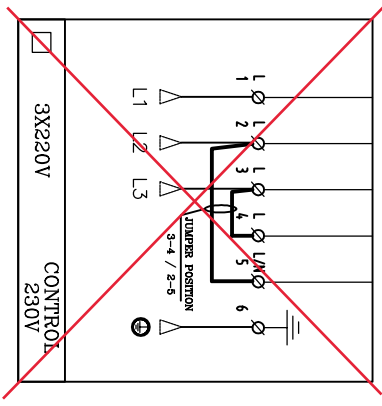
NJT SWITCHBOARDS

NFX--SWB-LUB12+CB12B-3PHASE

33220--010600

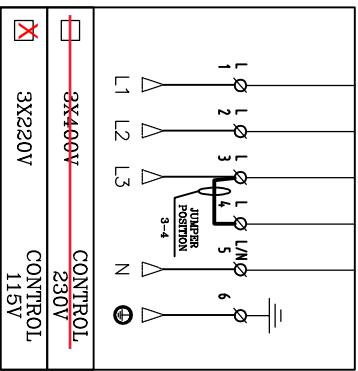
| | | | | | | | | | |
|--|---|---|---|----------|---------|--------|-------|----------|----------|
| 1 | 2 | 3 | 4 | 5 | 6 | 7 | 8 | 9 | |
| DESCRIPTION: NFX-SWB-LUB12+CB12B-3PHASE | | | | WORK NO' | | | | DATE: | 12.04.13 |
| SAP NUMBER: 33220-010600 | | | | APPROVED | PLANNER | DRAWN | SHEET | 1 | |
| | | | | Y.B. | Gaze | BALOSH | OF | 7 | |
| DES: | | | | | | | | UPDATE1: | |
| | | | | | | | | UPDATE2: | |





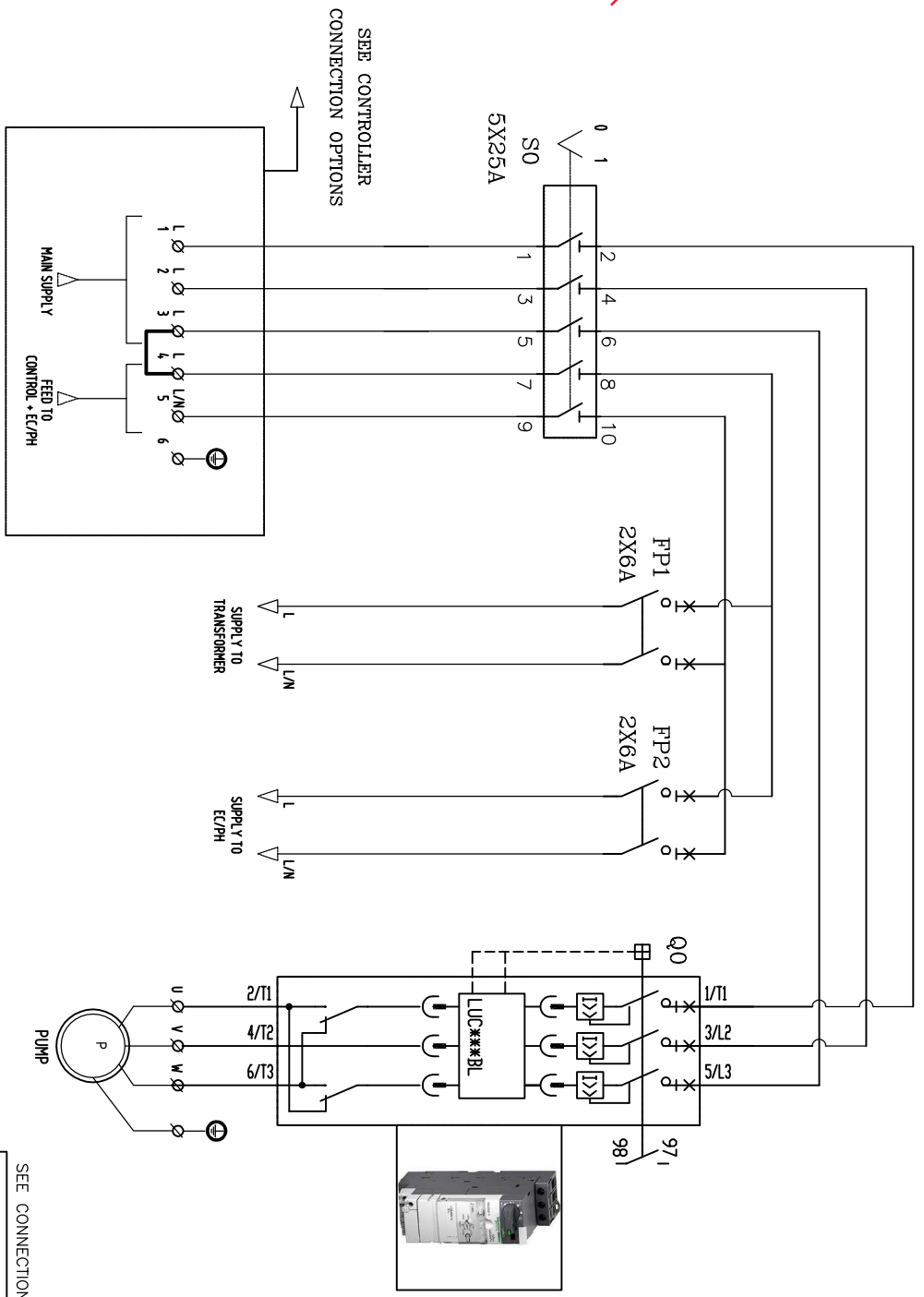
3X440V CONTROL EXTERNAL 230V/115V
 3X220V NO JUMPER

Preferred



3X440V CONTROL 230V
 3X220V CONTROL 115V

Optional



*** IF USING 3X440V, MUST USE CONTROL EXTERNAL 115V. NO JUMPER!!!**

SEE CONTROLLER CONNECTION OPTIONS

SEE CONNECTION OPTIONS IN THE NEXT PAGE

O.L motor protection

| | | |
|----------------|------------|------------|
| VOLTAGE | 3X200-220V | 3X400-440V |
| LUCB 18B 3-12A | 3.5KW | 7KW |

1 2

DESCRIPTION: NFX-SWB-LUB12+CB12B-3PHASE
 SAP NUMBER: 33220-010600

| | | | | | |
|----------|------|--------|--------|-------|---|
| WORK NO: | 3 | 4 | 5 | 6 | 7 |
| APPROVED | Y.B. | PLANER | DRAWN | SHEET | 2 |
| | | Gaze | BALOSH | OF | 7 |

DATE: 12.04.13
 UPDATER:
 UPDATE2:



DESCRIPTION:
NFX-SWB-LUB12+CB12B-3PHASE

SAP NUMBER:
33220-010600

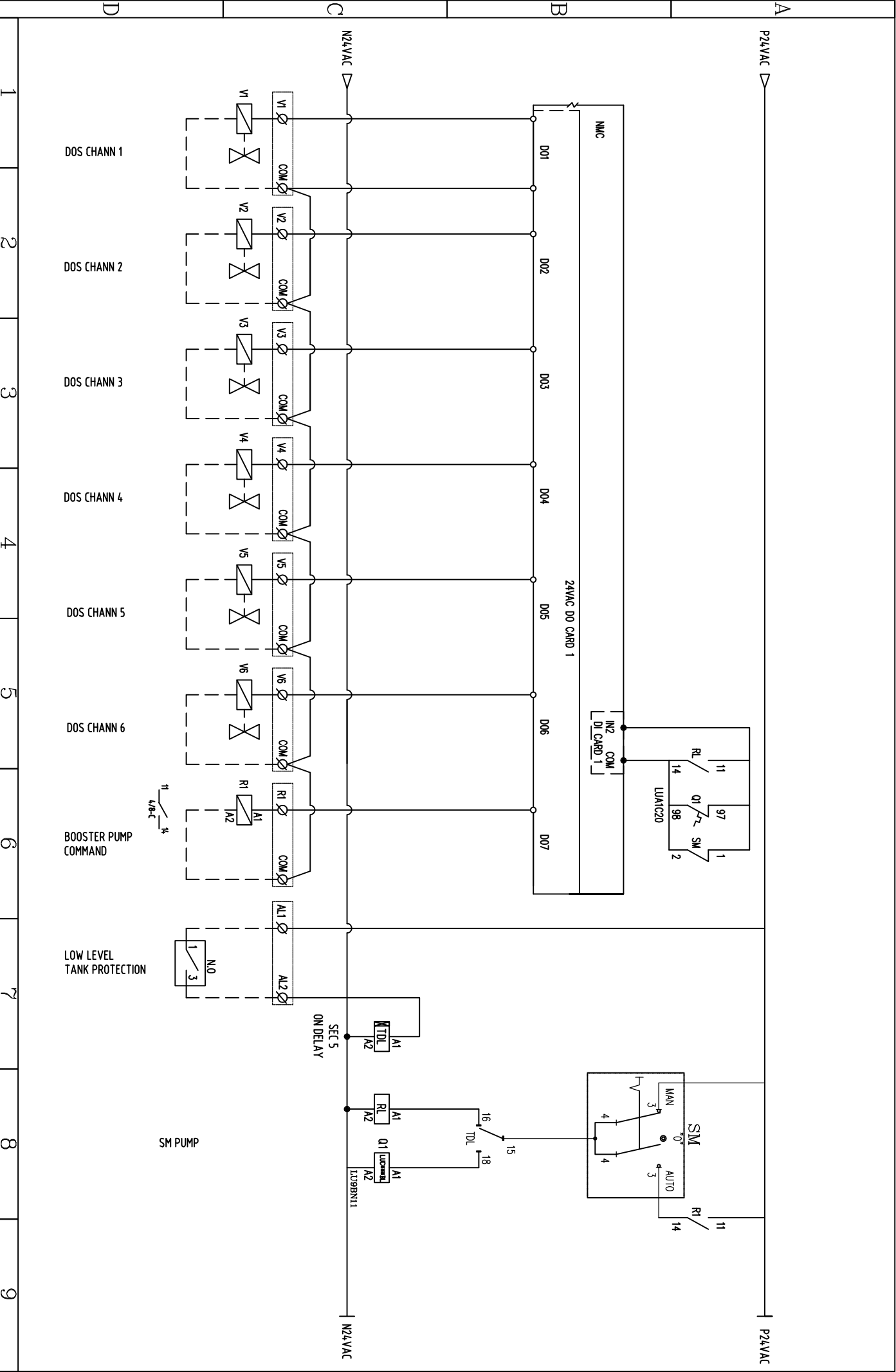
WORK NO:

| | | | |
|----------|---------|--------|-------|
| APPROVED | PLANNER | DRAWN | SHEET |
| Y.B. | Gaze | BALOSH | OF |

DATE: **12.04.13**

UPDATER1:

UPDATER2:



1

2

3

4

5

6

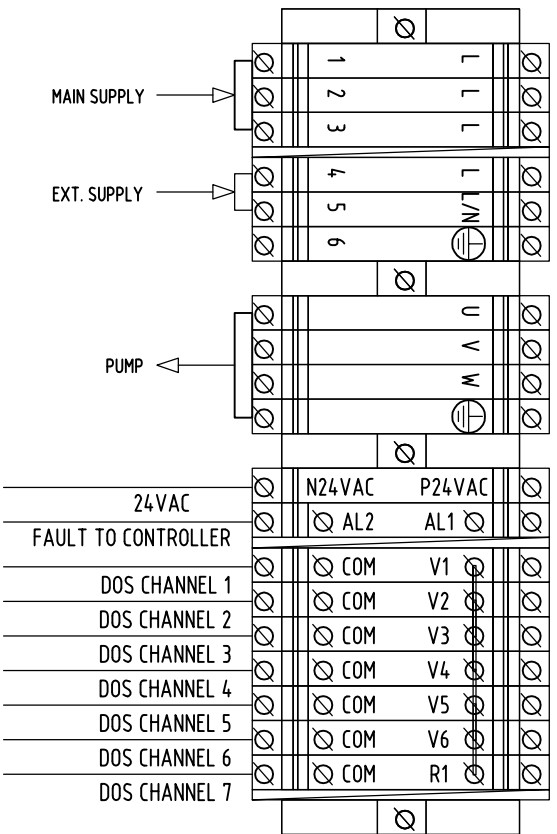
7

8

9

TERMINAL LIST X1

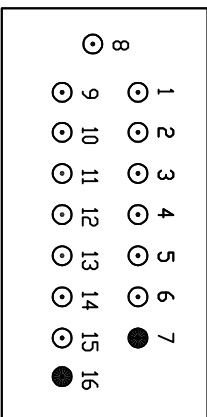
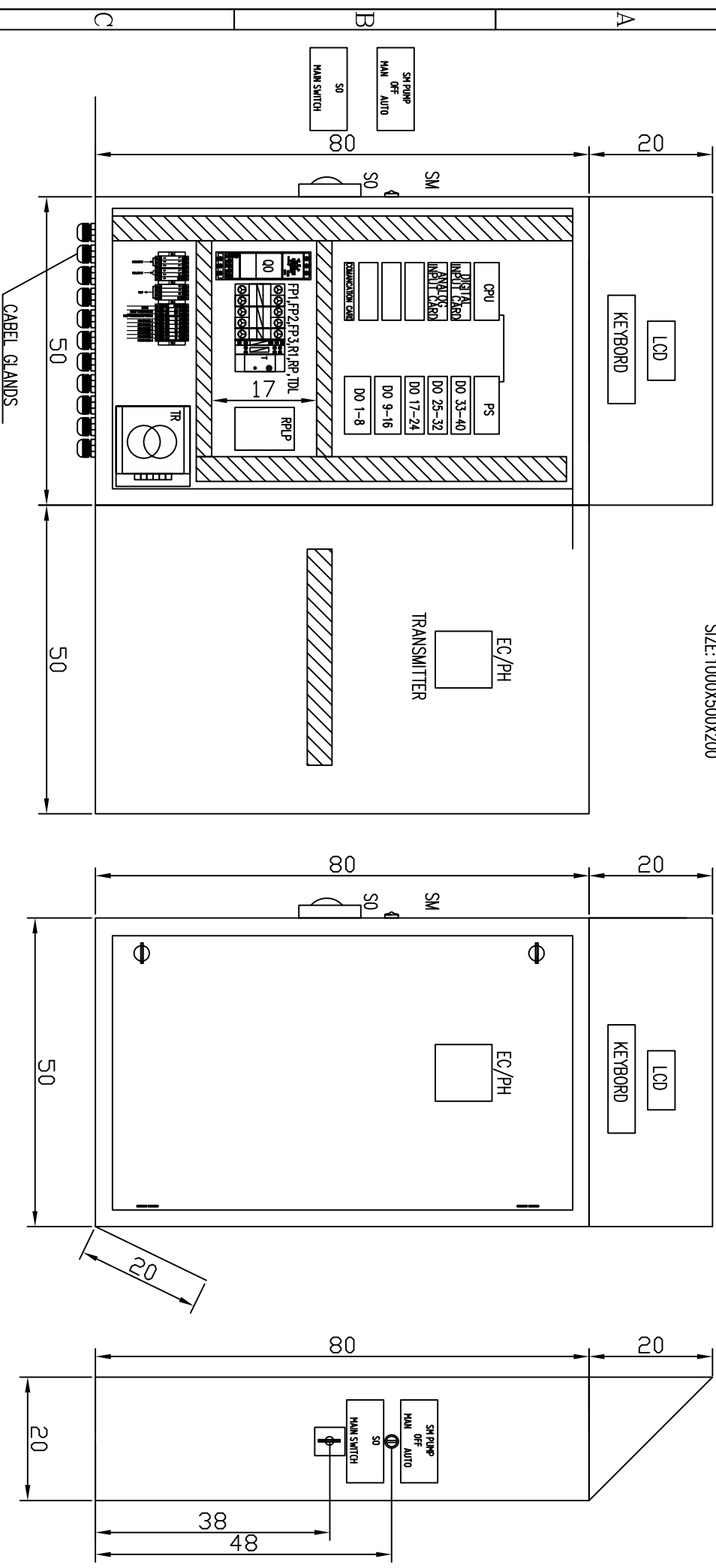
| TERMINAL BLOCK | VOLTAGE | TERM SYMBOL | TERM COLOR | WIRE COLOR | TERM SECTION |
|----------------|----------|---------------|------------|------------|--------------------|
| MODULAR | 220-440V | L1,L2,L3 | GRAY | BROWN | 4 M ³ M |
| MODULAR | 110-220V | L4 | BLACK | BLACK | 4 M ³ M |
| MODULAR | 110-220V | L/N | BLACK | BLACK | 4 M ³ M |
| GROUND | GND | | YELLOW/GR | YELLOW/GR | 4 M ³ M |
| MODULAR | 220-440V | U,V,W | GRAY | BROWN | 4 M ³ M |
| Double-level | 24VAC | P24VAC-N24VAC | GRAY | WHITE | 4 M ³ M |
| Double-level | 24VAC | AL1-AL2 | GRAY | WHITE | 4 M ³ M |
| Double-level | 24VAC | V1-R1 | GRAY | WHITE | 4 M ³ M |
| Double-level | 24VAC | COM | GRAY | GRAY | 4 M ³ M |



| | | | | | | | | |
|----------------------------|---|---|---|----------|---|---|---|-----------|
| 1 | 2 | 3 | 4 | 5 | 6 | 7 | 8 | 9 |
| DESCRIPTION: | | | | WORK NO: | | | | DATE: |
| NFX-SWB-LUB12+CB12B-3PHASE | | | | APPROVED | | | | 12.04.13 |
| SAP NUMBER: | | | | PLANER | | | | UPDATER: |
| 33220-010600 | | | | Gaze | | | | UPDATER2: |
| | | | | DRAWN | | | | |
| | | | | BALOSH | | | | |
| | | | | SHEET | | | | |
| | | | | OF | | | | |
| | | | | 5 | | | | |
| | | | | 7 | | | | |



ELECTRICAL BOARD
SIZE: 1000X500X200



| | |
|-------------------|-----------------|
| 1 ' 2 ' 3 ' 4 ' 5 | B-PG16 |
| 6 ' 11 ' 15 | CM12P |
| 7 ' 16 | CEALABLE RUBBER |
| 8 | PG21 |
| 10 ' 14 | CM8P |
| 9 ' 12 ' 13 | PG16 |

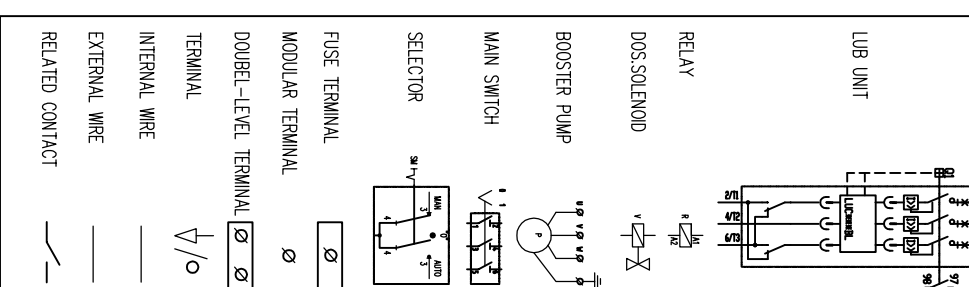
| | | | | | | | | | | | | | | | | | |
|---|--|---|--|-------|--|---|--|--------|--|---|--|----------|--|---|--|---|--|
| 1 | | 2 | | 3 | | 4 | | 5 | | 6 | | 7 | | 8 | | 9 | |
| <p>DESCRIPTION: NFX-SWB-LUB12+CB12B-3PHASE</p> <p>DESCRIPTION: NFX-SWB-LUB12+CB12B-3PHASE</p> <p>SAP NUMBER: 33220-010600</p> | | | | | | | | | | | | | | | | | |
| <p>WORK NO:</p> | | | | | | | | | | | | | | | | | |
| APPROVED | | | | DRAWN | | | | SHEET | | | | DATE: | | | | | |
| Y.B. | | | | Gaze | | | | BALOSH | | | | OF | | | | | |
| 6 | | | | 7 | | | | 6 | | | | 12.04.13 | | | | | |
| <p>UPDATER:</p> | | | | | | | | | | | | | | | | | |
| <p>UPDATER:</p> | | | | | | | | | | | | | | | | | |



EQUIPMENT LIST

| TYPE / MODEL | TECHNICAL DATA | CAT. NUMBER | MANUFACTURER | ACCESSORY | SYMBOL |
|---------------|---------------------|--------------|---------------|-----------------------------------|---------|
| 194L-E25-1755 | 5X25A | ON REQUEST | ALLEN BRADLEY | MAIN SWITCH | SO |
| LUB12 | 12A | ON REQUEST | TELEMECANIQUE | BREAKER BASE | Q1 |
| LU1A1C20 | N.O. | ON REQUEST | TELEMECANIQUE | FAULT AUX. CONTACT + TERMINALS | |
| LUB8 12B | 3-12A 3X200-480V | 77100-013600 | TELEMECANIQUE | BREAKER OVERLOAD PROTECTION | |
| 800FP-SM32 | 6A | ON REQUEST | ALLEN BRADLEY | SELECTOR SWITCH | SM PUMP |
| | 24VAC | RSL1PVBV | SCHNEIDER | RELAY | R1 |
| 40.52 | 24VAC | 77100-001460 | FINDER | RELAY | RP |
| | 24VAC | RSKM4ZA | P.S.K | TIMER | TDL |
| IC60N | 2X6A | APF74206 | SCHNEIDER | MINIATURE C.B. | FP1 |
| IC60N | 2X6A | APF74206 | SCHNEIDER | MINIATURE C.B. | FP2 |
| IC60N | 1X6A | APF74106 | SCHNEIDER | MINIATURE C.B. | FP3 |
| | 2X115/24/250VA | ON REQUEST | Z.R.M | TRANSFORMER | TR |
| | NMC-PRO | ON REQUEST | ROTEM | CONTROLLER | NMC |
| | | ON REQUEST | ABB | TRANSMITTER | EC/PH |
| | 1000 X 500 X 200 mm | ON REQUEST | TAMHASH | ELEC. BOARD | |

ELECT-SYMBOL



| | | | | | | | | |
|---|---|---|---|---|---|---|---|---|
| 1 | 2 | 3 | 4 | 5 | 6 | 7 | 8 | 9 |
|---|---|---|---|---|---|---|---|---|

| | | | | | | | |
|--------------|--|----------------------------|--|----------|--|----------|--|
| DESCRIPTION: | | WORK NO' | | DATE: | | 12.04.13 | |
| SAP NUMBER: | | NFX-SWB-LUB12+CB12B-3PHASE | | APPROVED | | DRAWN | |
| 33220-010600 | | Y.B. | | Gaze | | BALOSH | |
| | | PILANER | | SHEET | | 7 | |
| | | Y.B. | | OF | | 7 | |
| | | DATE: | | UPDATE1: | | UPDATE2: | |
| | | 12.04.13 | | | | | |

