

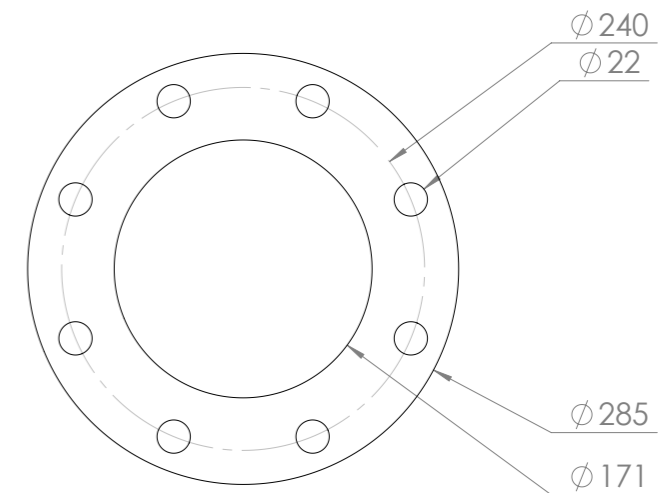
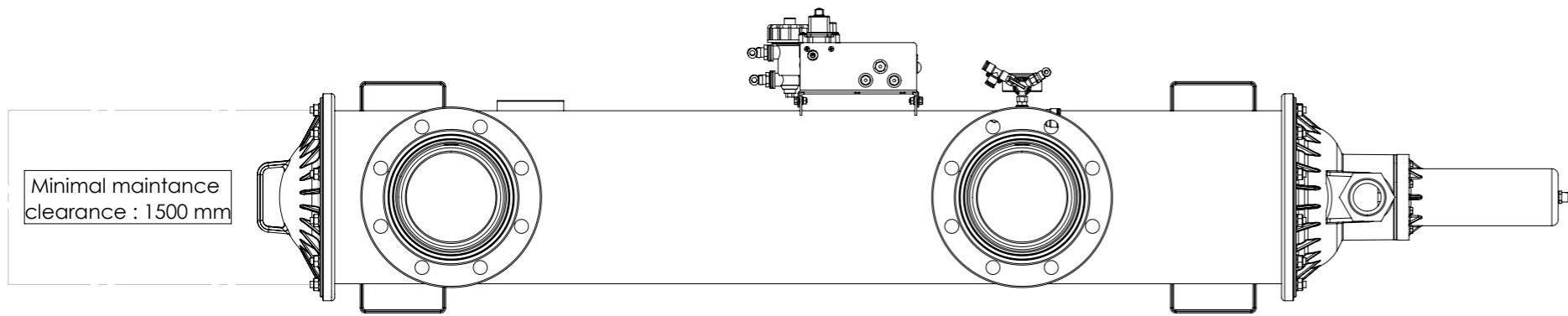
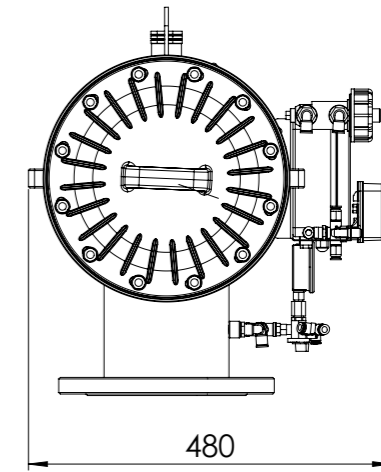
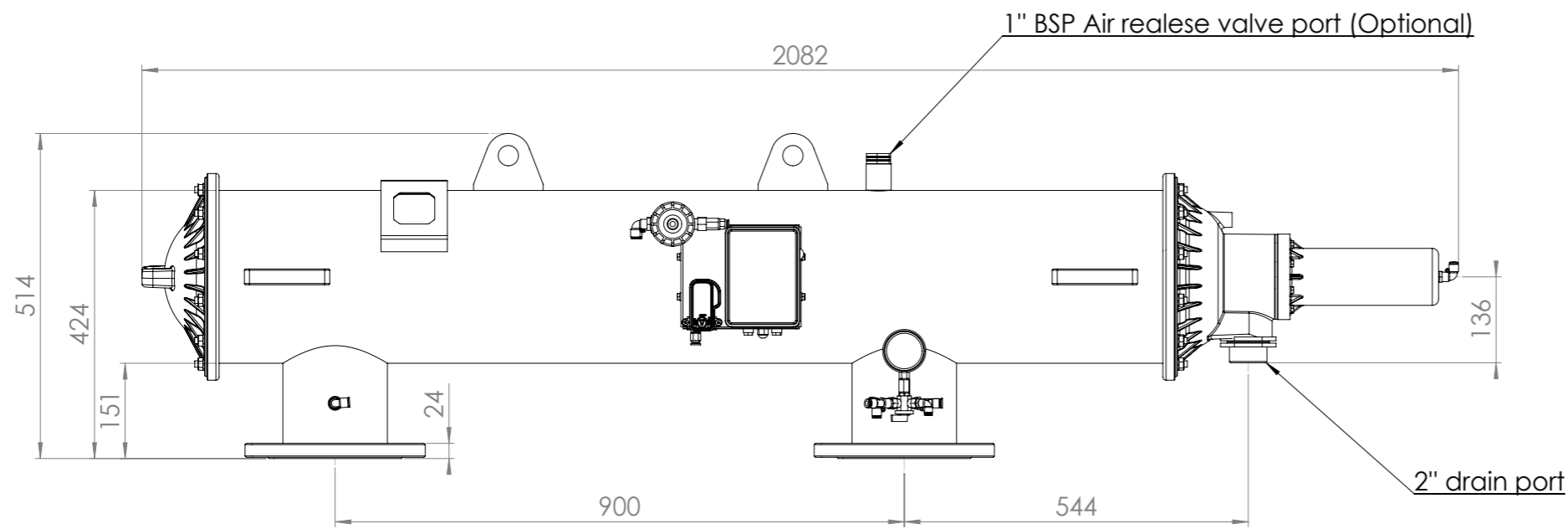


Material: ST37 / PA30		Project: Screen Guard		 <b>PROPRIETARY AND CONFIDENTIAL</b> THE INFORMATION CONTAINED IN THIS DRAWING IS THE SOLE PROPERTY OF NETAFIM. ANY REPRODUCTION IN PART OR AS A WHOLE WITHOUT THE WRITTEN PERMISSION OF NETAFIM IS PROHIBITED.																																																		
Finish:		Subject: Automatic Screen filter																																																				
Drawing No. N126881/1		Part Name: SGH 6																																																				
Part No. A-29160-020518	Quantity: 1	General Tolerance According to ISO 2768-f		Designed By a21434																																																		
3-D Proj. 		<table border="1"> <thead> <tr> <th colspan="8">LINEAR DIMENSIONS</th> <th colspan="4">ANGULAR DIMENSIONS</th> </tr> <tr> <th colspan="8">Permissible deviations in mm for ranges in nominal lengths</th> <th colspan="4">Permissible deviations in degrees and minutes for ranges in nominal lengths</th> </tr> <tr> <th>≥ 0.5</th> <th>&gt; 3</th> <th>&gt; 6</th> <th>&gt; 30</th> <th>&gt; 120</th> <th>&gt; 400</th> <th>&gt; 1000</th> <th>&gt; 2000</th> <th>≤ 10°</th> <th>&gt; 10°</th> <th>&gt; 50°</th> <th>&gt; 120°</th> <th>&gt; 400°</th> </tr> </thead> <tbody> <tr> <td>±0.05</td> <td>±0.05</td> <td>±0.1</td> <td>±0.15</td> <td>±0.2</td> <td>±0.3</td> <td>±0.5</td> <td>-</td> <td>±1°</td> <td>±0°30'</td> <td>±0°20'</td> <td>±0°10'</td> <td>±0°5'</td> </tr> </tbody> </table>		LINEAR DIMENSIONS								ANGULAR DIMENSIONS				Permissible deviations in mm for ranges in nominal lengths								Permissible deviations in degrees and minutes for ranges in nominal lengths				≥ 0.5	> 3	> 6	> 30	> 120	> 400	> 1000	> 2000	≤ 10°	> 10°	> 50°	> 120°	> 400°	±0.05	±0.05	±0.1	±0.15	±0.2	±0.3	±0.5	-	±1°	±0°30'	±0°20'	±0°10'	±0°5'	Drawn By a21434
LINEAR DIMENSIONS								ANGULAR DIMENSIONS																																														
Permissible deviations in mm for ranges in nominal lengths								Permissible deviations in degrees and minutes for ranges in nominal lengths																																														
≥ 0.5	> 3	> 6	> 30	> 120	> 400	> 1000	> 2000	≤ 10°	> 10°	> 50°	> 120°	> 400°																																										
±0.05	±0.05	±0.1	±0.15	±0.2	±0.3	±0.5	-	±1°	±0°30'	±0°20'	±0°10'	±0°5'																																										
Sheet Size: A3	Scale: 1:20	<table border="1"> <thead> <tr> <th colspan="8">LINEAR DIMENSIONS</th> <th colspan="4">ANGULAR DIMENSIONS</th> </tr> <tr> <th colspan="8">Permissible deviations in mm for ranges in nominal lengths</th> <th colspan="4">Permissible deviations in degrees and minutes for ranges in nominal lengths</th> </tr> <tr> <th>≥ 0.5</th> <th>&gt; 3</th> <th>&gt; 6</th> <th>&gt; 30</th> <th>&gt; 120</th> <th>&gt; 400</th> <th>&gt; 1000</th> <th>&gt; 2000</th> <th>≤ 10°</th> <th>&gt; 10°</th> <th>&gt; 50°</th> <th>&gt; 120°</th> <th>&gt; 400°</th> </tr> </thead> <tbody> <tr> <td>±0.05</td> <td>±0.05</td> <td>±0.1</td> <td>±0.15</td> <td>±0.2</td> <td>±0.3</td> <td>±0.5</td> <td>-</td> <td>±1°</td> <td>±0°30'</td> <td>±0°20'</td> <td>±0°10'</td> <td>±0°5'</td> </tr> </tbody> </table>		LINEAR DIMENSIONS								ANGULAR DIMENSIONS				Permissible deviations in mm for ranges in nominal lengths								Permissible deviations in degrees and minutes for ranges in nominal lengths				≥ 0.5	> 3	> 6	> 30	> 120	> 400	> 1000	> 2000	≤ 10°	> 10°	> 50°	> 120°	> 400°	±0.05	±0.05	±0.1	±0.15	±0.2	±0.3	±0.5	-	±1°	±0°30'	±0°20'	±0°10'	±0°5'	Checked By QA
LINEAR DIMENSIONS								ANGULAR DIMENSIONS																																														
Permissible deviations in mm for ranges in nominal lengths								Permissible deviations in degrees and minutes for ranges in nominal lengths																																														
≥ 0.5	> 3	> 6	> 30	> 120	> 400	> 1000	> 2000	≤ 10°	> 10°	> 50°	> 120°	> 400°																																										
±0.05	±0.05	±0.1	±0.15	±0.2	±0.3	±0.5	-	±1°	±0°30'	±0°20'	±0°10'	±0°5'																																										
File Name: SGH6 installation dimensions.slddrw				Sheet: 1	Of: 4	Rev: -																																																

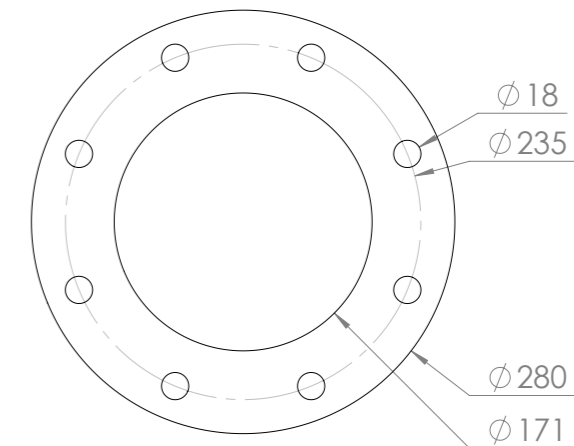
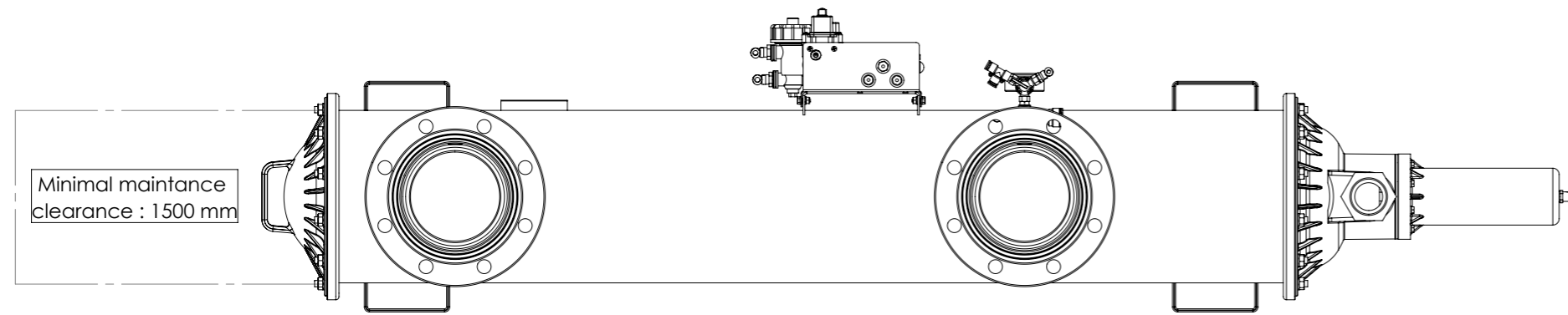
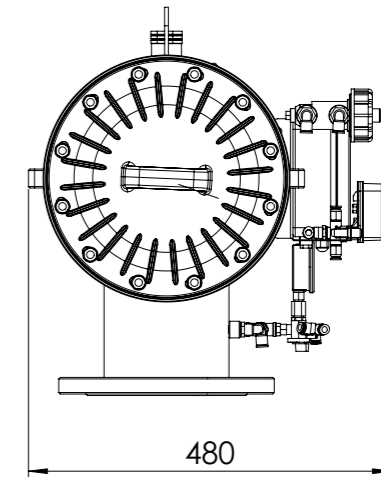
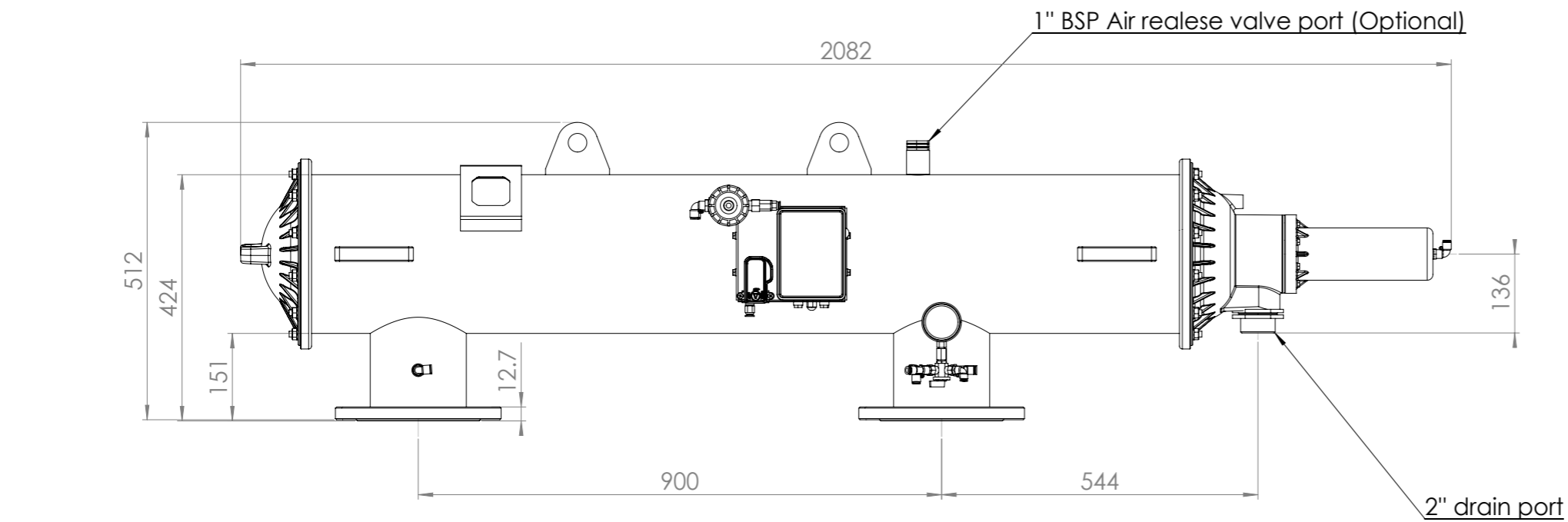


REV.	DESCRIPTION	DATE	APPROVED
Material:	ST37 / PA30	Project:	Screen Guard
Finish:		Subject:	Automatic Screen Filter
Drawing No.	N126881/1	Part Name:	SGH 6 ISO PN10
Part No.	A-29160-020518	Quantity:	1
3-D Proj.		Sheet Size:	A3
Scale:		1:20	
General Tolerance According to ISO 2768-f		ANGULAR DIMENSIONS	
LINEAR DIMENSIONS		Permissible deviations in degrees and minutes	
Permissible deviations in mm for ranges in nominal lengths		for ranges in nominal lengths	
≥ 0.5	> 3	> 6	> 30
> 120	> 400	> 1000	> 2000
≤ 3	≤ 6	≤ 30	≤ 120
≤ 400	≤ 1000	≤ 2000	≤ 4000
+0.05	+0.05	+0.1	+0.15
+0.2	+0.3	+0.5	-
±1°	+0°30'	+0°20'	+0°10'
±0°5'			
Designed By	a21434	02 May 2018	
Drawn By	a21434	16 May 2018	
Checked By			
QA			
Sheet:	2	Of:	4
Rev.:			-



**PROPRIETARY AND CONFIDENTIAL**  
 THE INFORMATION CONTAINED IN THIS DRAWING IS THE SOLE PROPERTY OF NETAFIM. ANY REPRODUCTION IN PART OR AS A WHOLE WITHOUT THE WRITTEN PERMISSION OF NETAFIM IS PROHIBITED.

File Name: SGH6 installation dimensions.sldrw



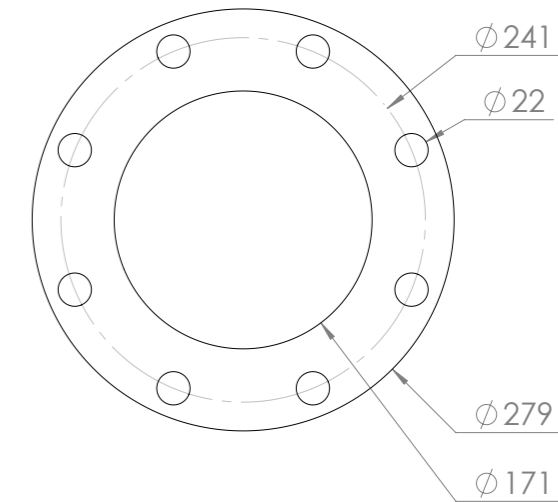
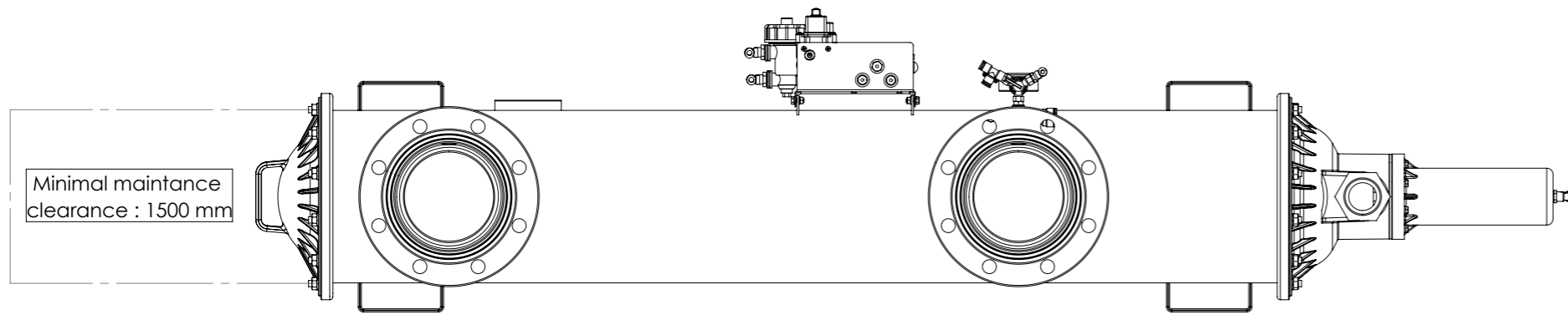
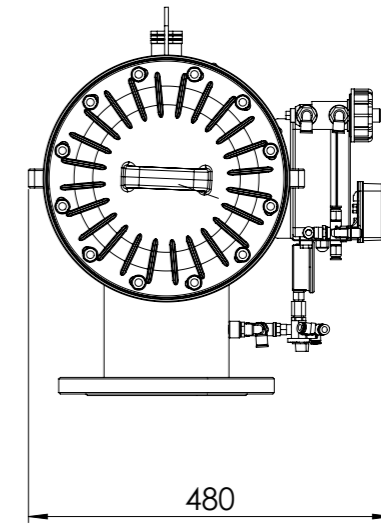
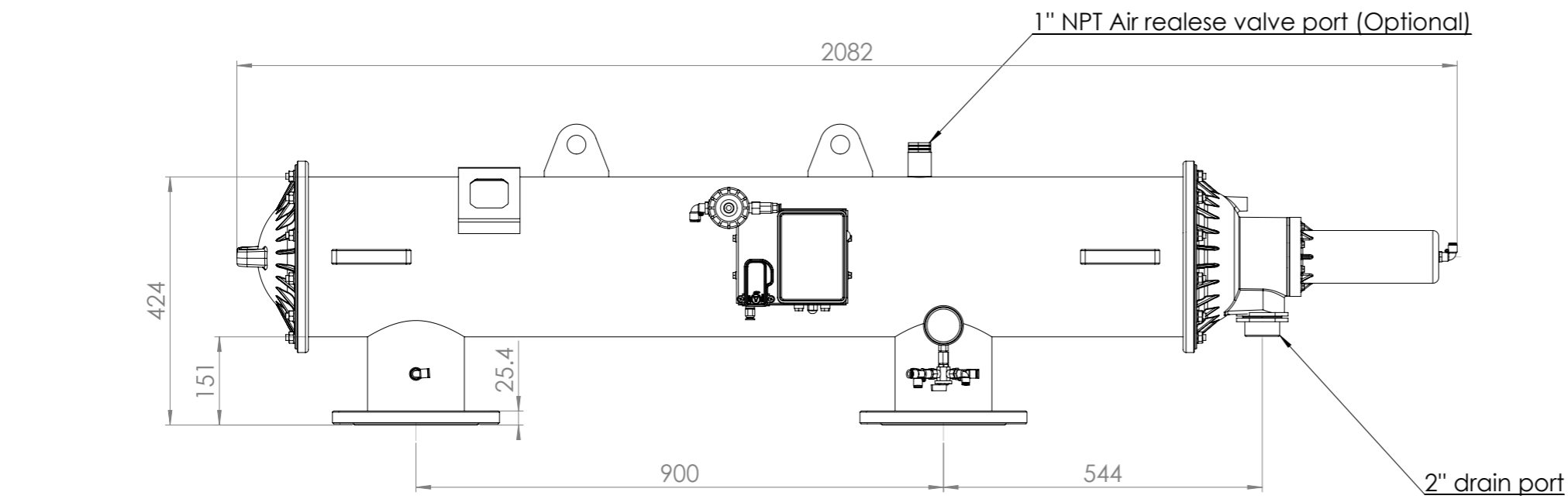
REV.	DESCRIPTION	DATE	APPROVED
Material:	ST37 / PA30	Project:	Screen Guard
Finish:		Subject:	Automatic Screen Filter
Drawing No.	N126881/1	Part Name:	SGH 6 BSTD
Part No.	A-29160-020518	Quantity:	1
3-D Proj.		Sheet Size:	A3
Scale:		1:20	
General Tolerance According to ISO 2768-f		ANGULAR DIMENSIONS	
LINEAR DIMENSIONS		Permissible deviations in degrees and minutes	
Permissible deviations in mm for ranges in nominal lengths		for ranges in nominal lengths	
$\geq 0.5$ > 3 > 6 > 30 > 120 > 400 > 1000 > 2000 $\leq 3$ $\leq 6$ $\leq 30$ $\leq 120$ $\leq 400$ $\leq 1000$ $\leq 2000$ $\leq 4000$ $\pm 0.05$ $\pm 0.05$ $\pm 0.1$ $\pm 0.15$ $\pm 0.2$ $\pm 0.3$ $\pm 0.5$ -		$\leq 10^\circ$ > 10 > 50 > 120 > 400 $\leq 50$ $\leq 120$ $\leq 400$ $\pm 1^\circ$ $\pm 0^\circ 30'$ $\pm 0^\circ 20'$ $\pm 0^\circ 10'$ $\pm 0^\circ 5'$	
File Name: SGH6 installation dimensions.slddrw		Designed By:	a21434
		Drawn By:	a21434
		Checked By:	QA
		Sheet:	3
		Of:	4
		Rev.:	-



PROPRIETARY AND CONFIDENTIAL  
 THE INFORMATION CONTAINED IN THIS  
 DRAWING IS THE SOLE PROPERTY OF  
 NETAFIM. ANY REPRODUCTION IN PART  
 OR AS A WHOLE WITHOUT THE WRITTEN  
 PERMISSION OF NETAFIM IS PROHIBITED.

02 May 2018

16 May 2018



REV.	DESCRIPTION	DATE	APPROVED
Material:	ST37 / PA30	Project:	Screen Guard
Finish:		Subject:	Automatic Screen Filter
Drawing No.	N126881/1	Part Name:	SGH 6 ASME B16.5 class 150
Part No.	A-29160-020518	Quantity:	1
General Tolerance According to ISO 2768-f		Drawn By:	a21434
LINEAR DIMENSIONS		Checked By:	16 May 2018
ANGULAR DIMENSIONS		QA	
3-D Proj. Sheet Size: A3		Scale:	1:20
File Name: SGH6 installation dimensions.slddrw		Sheet:	4 Of: 4 Rev. -

**NETAFIM™**  
 PROPRIETARY AND CONFIDENTIAL  
 THE INFORMATION CONTAINED IN THIS DRAWING IS THE SOLE PROPERTY OF NETAFIM. ANY REPRODUCTION IN PART OR AS A WHOLE WITHOUT THE WRITTEN PERMISSION OF NETAFIM IS PROHIBITED.