
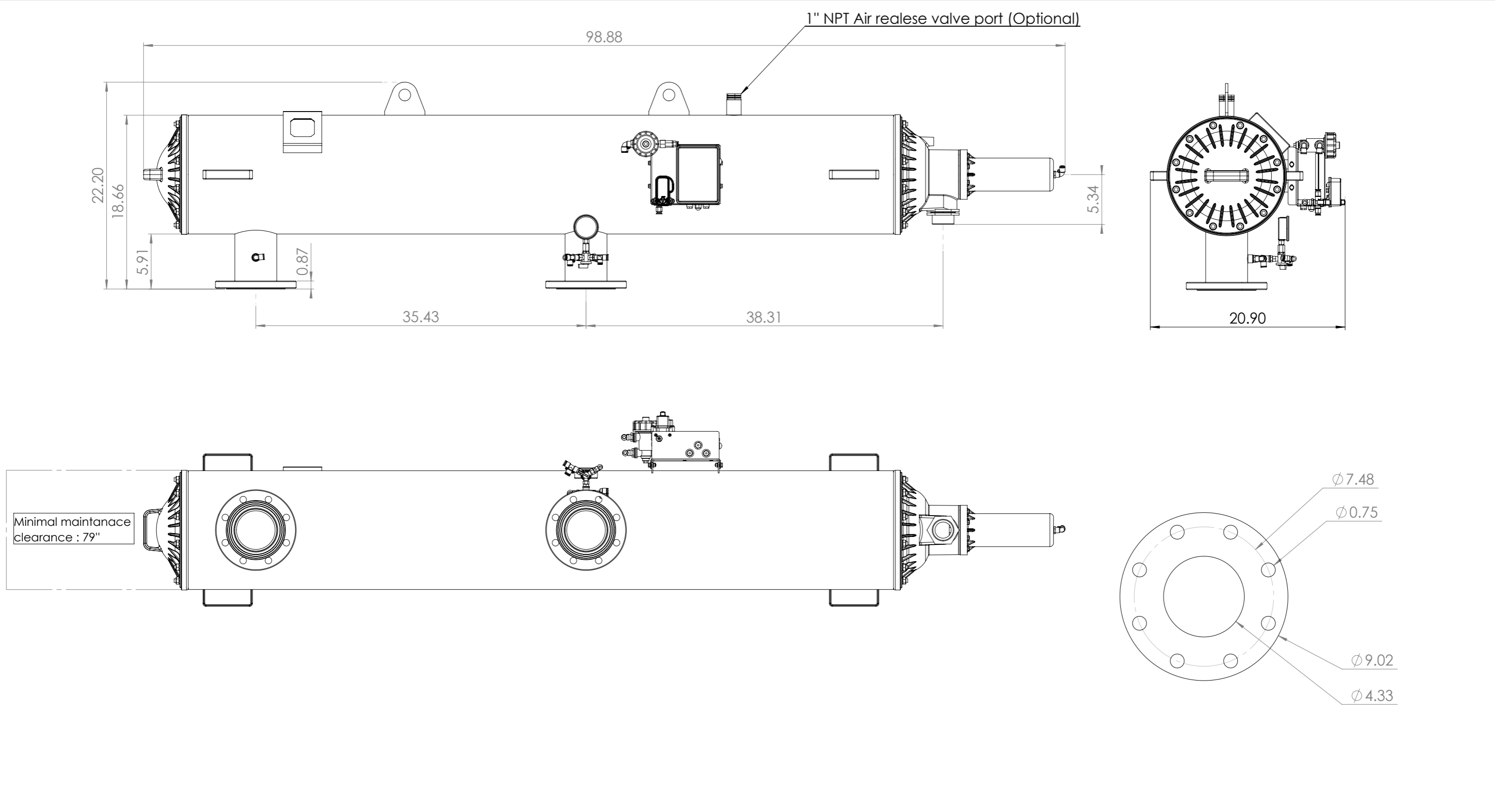


Material: ST37 / PA30		Project: Screen Guard		 PROPRIETARY AND CONFIDENTIAL THE INFORMATION CONTAINED IN THIS DRAWING IS THE SOLE PROPERTY OF NETAFIM. ANY REPRODUCTION IN PART OR AS A WHOLE WITHOUT THE WRITTEN PERMISSION OF NETAFIM IS PROHIBITED.																										
Finish:		Subject: Automatic Screen filter																												
Drawing No. N128111/1		Part Name: SGH 4																												
Part No.	Quantity: 1	General Tolerance According to ISO 2768-f		Designed By																										
		LINEAR DIMENSIONS Permissible deviations in mm for ranges in nominal lengths		Drawn By a21434																										
		ANGULAR DIMENSIONS Permissible deviations in degrees and minutes for ranges in nominal lengths		14/05/2019																										
3-D Proj.	Sheet Size: A3	Scale: 1:20	<table border="1"> <tr> <td>≥ 0.5</td><td>> 3</td><td>> 6</td><td>> 30</td><td>> 120</td><td>> 400</td><td>> 1000</td><td>> 2000</td> <td>≤ 10°</td><td>> 10°</td><td>> 50°</td><td>> 120°</td><td>> 400°</td> </tr> <tr> <td>±0.05</td><td>±0.05</td><td>±0.1</td><td>±0.15</td><td>±0.2</td><td>±0.3</td><td>±0.5</td><td>-</td> <td>±1°</td><td>±0°30'</td><td>±0°20'</td><td>±0°10'</td><td>±0°5'</td> </tr> </table>	≥ 0.5	> 3	> 6	> 30	> 120	> 400	> 1000	> 2000	≤ 10°	> 10°	> 50°	> 120°	> 400°	±0.05	±0.05	±0.1	±0.15	±0.2	±0.3	±0.5	-	±1°	±0°30'	±0°20'	±0°10'	±0°5'	Checked By QA
≥ 0.5	> 3	> 6	> 30	> 120	> 400	> 1000	> 2000	≤ 10°	> 10°	> 50°	> 120°	> 400°																		
±0.05	±0.05	±0.1	±0.15	±0.2	±0.3	±0.5	-	±1°	±0°30'	±0°20'	±0°10'	±0°5'																		
File Name: SGH4S installation dimensions.sldrw				Sheet: 1																										
				Of: 5																										
				Rev: -																										

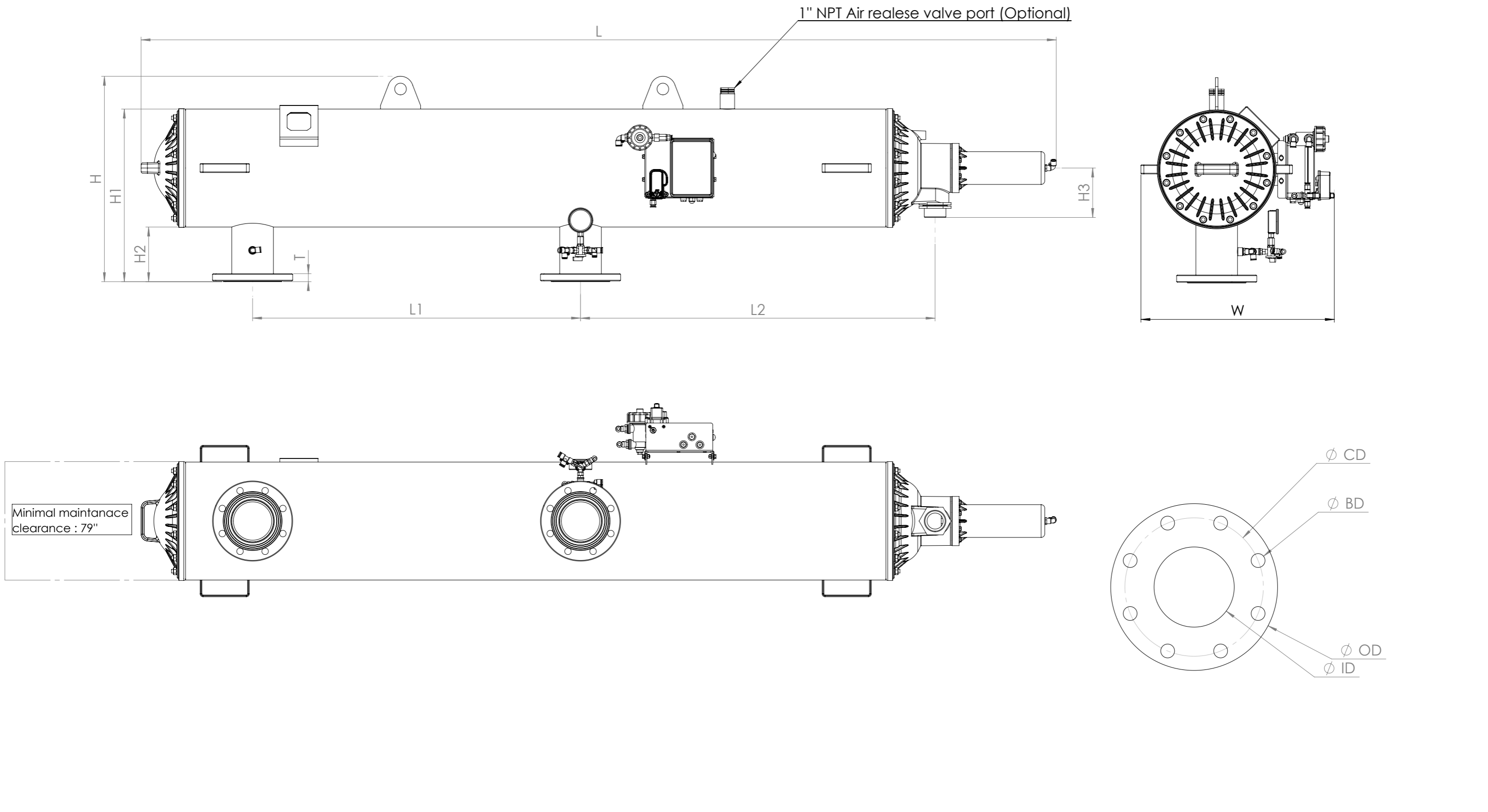


REV.	DESCRIPTION		DATE	APPROVED																																																
Material:	ST37 / PA30		Project:	Screen Guard																																																
Finish:			Subject:	Automatic Screen Filter																																																
Drawing No.	N128111/1		Part Name:	SGH 4S ASME B16.5 class 150																																																
Part No.	Quantity:	General Tolerance According to ISO 2768-f		Drawn By																																																
	1	<table border="0"> <tr> <th colspan="6">LINEAR DIMENSIONS</th> <th colspan="5">ANGULAR DIMENSIONS</th> </tr> <tr> <td colspan="6">Permissible deviations in mm for ranges in nominal lengths</td> <td colspan="5">Permissible deviations in degrees and minutes for ranges in nominal lengths</td> </tr> <tr> <td>≥ 0.5</td> <td>> 3</td> <td>> 6</td> <td>> 30</td> <td>> 120</td> <td>> 400</td> <td>> 1000</td> <td>> 2000</td> <td>≤ 10°</td> <td>> 10°</td> <td>> 50°</td> <td>> 120°</td> <td>> 400°</td> </tr> <tr> <td>± 0.05</td> <td>± 0.05</td> <td>± 0.1</td> <td>± 0.15</td> <td>± 0.2</td> <td>± 0.3</td> <td>± 0.5</td> <td>-</td> <td>± 1°</td> <td>± 0°30'</td> <td>± 0°20'</td> <td>± 0°10'</td> <td>± 0°5'</td> </tr> </table>		LINEAR DIMENSIONS						ANGULAR DIMENSIONS					Permissible deviations in mm for ranges in nominal lengths						Permissible deviations in degrees and minutes for ranges in nominal lengths					≥ 0.5	> 3	> 6	> 30	> 120	> 400	> 1000	> 2000	≤ 10°	> 10°	> 50°	> 120°	> 400°	± 0.05	± 0.05	± 0.1	± 0.15	± 0.2	± 0.3	± 0.5	-	± 1°	± 0°30'	± 0°20'	± 0°10'	± 0°5'	Checked By
LINEAR DIMENSIONS						ANGULAR DIMENSIONS																																														
Permissible deviations in mm for ranges in nominal lengths						Permissible deviations in degrees and minutes for ranges in nominal lengths																																														
≥ 0.5	> 3	> 6	> 30	> 120	> 400	> 1000	> 2000	≤ 10°	> 10°	> 50°	> 120°	> 400°																																								
± 0.05	± 0.05	± 0.1	± 0.15	± 0.2	± 0.3	± 0.5	-	± 1°	± 0°30'	± 0°20'	± 0°10'	± 0°5'																																								
3-D Proj.	Sheet Size:	Scale:	<table border="0"> <tr> <td>⊕</td> <td>A3</td> <td>1:20</td> </tr> </table>		⊕	A3	1:20	QA																																												
⊕	A3	1:20																																																		
File Name: SGH4S installation dimensions - IPS.slddrw				Sheet: 4 Of: 5 Rev. -																																																

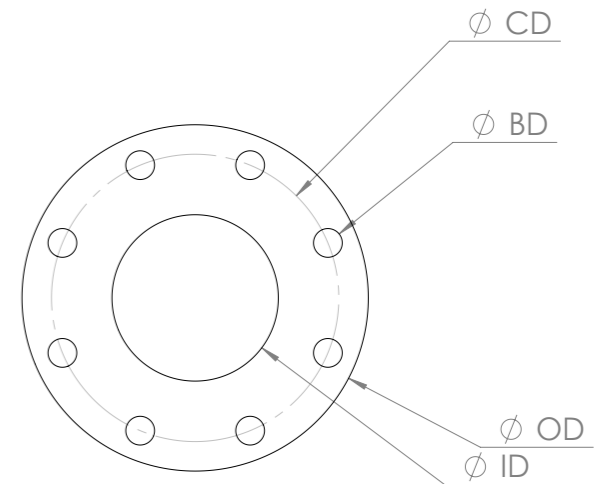


PROPRIETARY AND CONFIDENTIAL
 THE INFORMATION CONTAINED IN THIS DRAWING IS THE SOLE PROPERTY OF NETAFIM. ANY REPRODUCTION IN PART OR AS A WHOLE WITHOUT THE WRITTEN PERMISSION OF NETAFIM IS PROHIBITED.

Designed By
 Drawn By: a21434 14/05/2019
 Checked By
 QA
 Sheet: 4 Of: 5 Rev. -



Minimal maintainace clearance : 79"



REV.	DESCRIPTION	DATE	APPROVED																																																				
Material:	ST37 / PA30	Project:	Screen Guard																																																				
Finish:		Subject:	Automatic Screen Filter																																																				
Drawing No.	N128111/1	Part Name:	SGH 4S ASME B16.5 class 150																																																				
Part No.	Quantity:	General Tolerance According to ISO 2768-f																																																					
	1																																																						
3-D Proj.	Sheet Size:	<table border="0"> <tr> <th colspan="8">LINEAR DIMENSIONS</th> <th colspan="5">ANGULAR DIMENSIONS</th> </tr> <tr> <td colspan="8">Permissible deviations in mm for ranges in nominal lengths</td> <td colspan="5">Permissible deviations in degrees and minutes for ranges in nominal lengths</td> </tr> <tr> <td>≥ 0.5</td> <td>> 3</td> <td>> 6</td> <td>> 30</td> <td>> 120</td> <td>> 400</td> <td>> 1000</td> <td>> 2000</td> <td>≤ 10°</td> <td>> 10°</td> <td>> 50°</td> <td>> 120°</td> <td>> 400°</td> </tr> <tr> <td>± 0.05</td> <td>± 0.05</td> <td>± 0.1</td> <td>± 0.15</td> <td>± 0.2</td> <td>± 0.3</td> <td>± 0.5</td> <td>-</td> <td>± 1°</td> <td>± 0°30'</td> <td>± 0°20'</td> <td>± 0°10'</td> <td>± 0°5'</td> </tr> </table>		LINEAR DIMENSIONS								ANGULAR DIMENSIONS					Permissible deviations in mm for ranges in nominal lengths								Permissible deviations in degrees and minutes for ranges in nominal lengths					≥ 0.5	> 3	> 6	> 30	> 120	> 400	> 1000	> 2000	≤ 10°	> 10°	> 50°	> 120°	> 400°	± 0.05	± 0.05	± 0.1	± 0.15	± 0.2	± 0.3	± 0.5	-	± 1°	± 0°30'	± 0°20'	± 0°10'	± 0°5'
LINEAR DIMENSIONS								ANGULAR DIMENSIONS																																															
Permissible deviations in mm for ranges in nominal lengths								Permissible deviations in degrees and minutes for ranges in nominal lengths																																															
≥ 0.5	> 3	> 6	> 30	> 120	> 400	> 1000	> 2000	≤ 10°	> 10°	> 50°	> 120°	> 400°																																											
± 0.05	± 0.05	± 0.1	± 0.15	± 0.2	± 0.3	± 0.5	-	± 1°	± 0°30'	± 0°20'	± 0°10'	± 0°5'																																											
File Name:	SGH4S installation dimensiion..sldrw	Drawn By:	a21434																																																				
		Checked By:	QA																																																				
		Sheet:	5																																																				
		Of:	5																																																				
		Rev.:	-																																																				

NETAFIM™
 PROPRIETARY AND CONFIDENTIAL
 THE INFORMATION CONTAINED IN THIS DRAWING IS THE SOLE PROPERTY OF NETAFIM. ANY REPRODUCTION IN PART OR AS A WHOLE WITHOUT THE WRITTEN PERMISSION OF NETAFIM IS PROHIBITED.