

CentriForce™ SP SAND SEPARATOR

The CentriForce™ SP series is designed to allow for easy removal of sand, dirt and silt from groundwater and to provide superior protection for irrigation systems thanks to a unique patented Centrifugal Separator technology.

CentriForce™ SP saves you labor, energy and maintenance.



Superior Separation



Low Pressure Loss



Wide Range

/ Benefits & Features

- ✓ Superior Separation – Independently tested to remove over 98% of settleable solids commonly found in groundwater down to 74 microns (200 mesh) at 2.6 SG
- ✓ Low and steady pressure loss – CentriForce™ Separators operate at a consistent pressure loss as low as 5 – 12 psi (0.34 – 0.83 bar), sizes ¾" – 3", and 3 – 12 psi (0.21 – 0.83 bar), sizes 4" – 10".
- ✓ Wide range of diameters covering flow rates up to 2,450 gpm (556 m³/hr) for single unit installations. Higher flow rate applications can be achieved by manifolding additional Separators in parallel.

/ Applications

- Irrigation systems irrigating with well and/or any other groundwater
- Small to large system applications, side-stream installations, and individual equipment protection
- For removal of sand, grit, silt, and other fine solids from the water

3/4"-3" MODELS

→ TECHNICAL INFORMATION

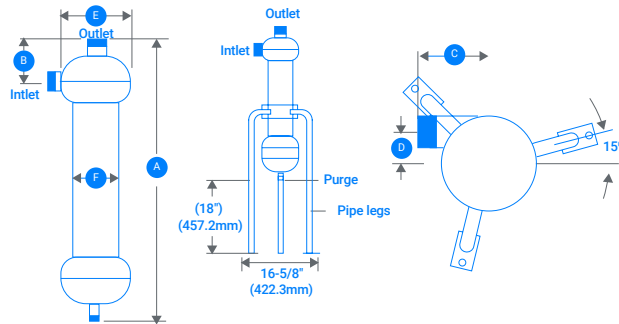
MODEL		FLOW RANGE				IN/OUT SIZE	CONNECTION TYPE	PURGE OUTLET SIZE (NPT)	WEIGHT		WEIGHT WITH WATER		COLLECTION CHAMBER CAPACITY		MAX PRESSURE	
		GPM		M ³ /H					LBS	KG	LBS	KG	GAL	LITER	PSI	BAR
		MIN	MAX	MIN	MAX											
71995-000206	CENTRIFORCE 3/4" 10-20 GPM	10	20	2.3	4.5	3/4"	NPT	3/4"	15	6.8	25	11.3	0.3	1.2	150	10.3
71995-000200	CENTRIFORCE 1" 19-32 GPM	19	32	4.3	7.3	1"	NPT	3/4"	27	12.2	38	17.2	0.3	1.2	150	10.3
71995-000201	CENTRIFORCE 1.25" 28-48 GPM	28	48	6.5	11	1.25"	NPT	3/4"	27	12.2	38	17.2	0.3	1.2	150	10.3
71995-000202	CENTRIFORCE 1.5" 45-70 GPM	45	70	10.2	15.9	1.5"	NPT	3/4"	27	12.2	40	18.1	0.3	1.2	150	10.3
71995-000203	CENTRIFORCE 2" 65-108 GPM	65	108	15	25	2"	NPT	3/4"	52	23.6	98	44.4	0.8	3	150	10.3
71995-000204	CENTRIFORCE 2.5" 95-155 GPM	95	155	22	35	2.5"	NPT	3/4"	60	27.2	109	49.4	1.25	4.7	150	10.3
71995-000205	CENTRIFORCE 3" 148-250 GPM	148	250	34	55	3"	NPT	3/4"	101	45.8	177	80	2.2	8.3	150	10.3

All units includes ball valve and pressure gauge

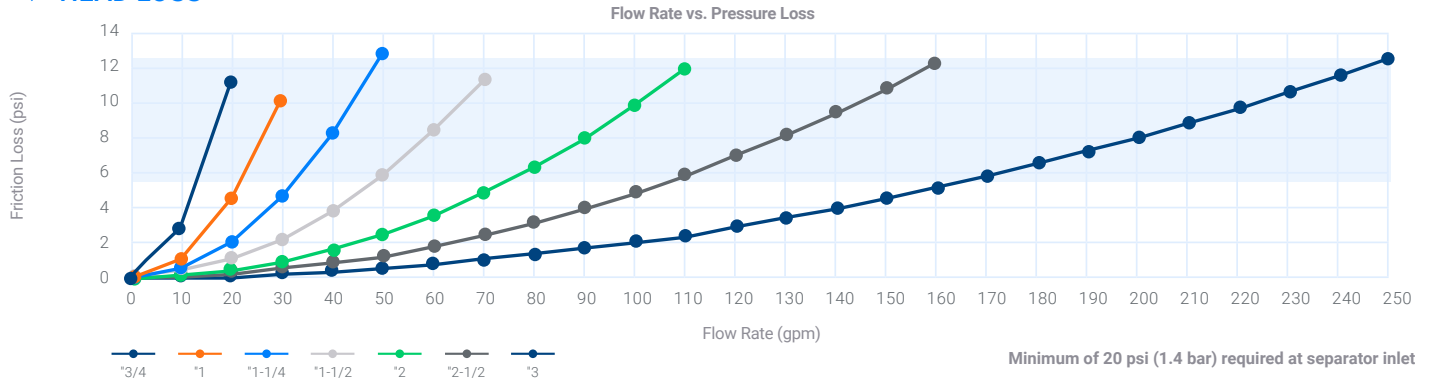
→ TECHNICAL DIMENSIONS

MODEL		A		B		C		D		E		F	
		INCH	MM	INCH	MM	INCH	MM	INCH	MM	INCH	MM	INCH	MM
71995-000206	CENTRIFORCE 3/4" 10-20 GPM	20	508	4	102	4	102	2 1/8	54	6	152	2 3/8	60
71995-000200	CENTRIFORCE 1" 19-32 GPM	30	762	4 3/8	111	4	102	2	51	6	152	3 1/2	89
71995-000201	CENTRIFORCE 1.25" 28-48 GPM	30	762	4 3/8	111	4	102	1 7/8	48	6	152	3 1/2	89
71995-000202	CENTRIFORCE 1.5" 45-70 GPM	30	762	4 3/8	111	4 3/4	121	1 3/4	44	6	152	3 1/2	89
71995-000203	CENTRIFORCE 2" 65-108 GPM	33 5/8	854	5	127	5 1/2	140	2 5/8	67	8 5/8	219	5 9/16	141
71995-000204	CENTRIFORCE 2.5" 95-155 GPM	37	940	5 1/2	140	6 1/4	159	2 5/8	67	8 5/8	219	5 9/16	141
71995-000205	CENTRIFORCE 3" 148-250 GPM	42	1,067	7	178	8 1/4	209	3 1/4	83	10 3/4	273	6 5/8	168

→ DIMENSIONS



→ HEAD LOSS



4"-10" MODELS

→ TECHNICAL INFORMATION

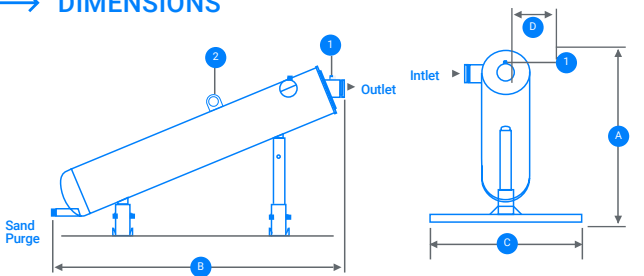
MODEL	FLOW RANGE	IN/OUT SIZE	CONNECTION TYPE	PURGE OUTLET SIZE (NPT)	WEIGHT		WEIGHT WITH WATER		COLLECTION CHAMBER CAPACITY		MAX PRESSURE					
					GPM		M ³ /H		GAL		LITER		PSI			
					MIN	MAX	MIN	MAX	LBS	KG	LBS	KG	LBS	KG		
71995-000207	CENTRIFORCE 4" 225-500 GPM	225	500	50	115	4"	GROOVED	1.5"	299	136	489	222	3	11	150	10.3
71995-000208	CENTRIFORCE 6" 385-850 GPM	385	850	87	195	6"	GROOVED	1.5"	446	202	876	397	5	18	150	10.3
71995-000209	CENTRIFORCE 8" 750-1450 GPM	750	1,450	170	330	8"	GROOVED	1.5"	758	344	1758	797	12	45	150	10.3
71995-000210	CENTRIFORCE 10" 1150-2450 GPM	1,150	2,450	260	555	10"	GROOVED	2"	1311	595	3711	1683	14	59	150	10.3

All units includes ball valve and pressure gauge

→ TECHNICAL DIMENSIONS

MODEL	A	B	C	D					
					INCH	MM	INCH	MM	INCH
71995-000207	CENTRIFORCE 4" 225-500 GPM	39	978	69	1,753	40	1,016	11 7/16	290
71995-000208	CENTRIFORCE 6" 385-850 GPM	48	1,226	86	2,172	40	1,016	16	406
71995-000209	CENTRIFORCE 8" 750-1450 GPM	64	1,619	115	2,915	40	1,016	20	508
71995-000210	CENTRIFORCE 10" 1150-2450 GPM	84	2,121	153	3,874	40	1,016	26	660

→ DIMENSIONS



1 Inlet/Outlet Pressure Gauge Taps
1/4-inch NPT female; required at both inlet and outlet for proper flow verification

2 Lifting Ring
For installation purposes



→ HEAD LOSS

